

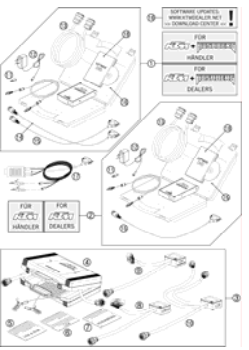
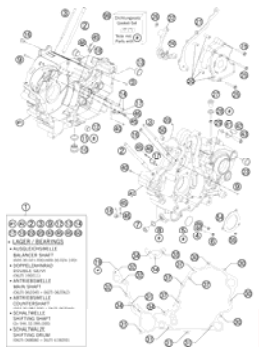
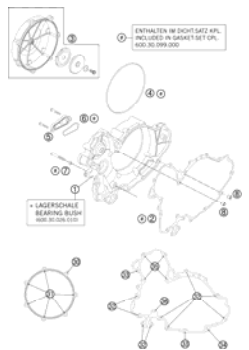
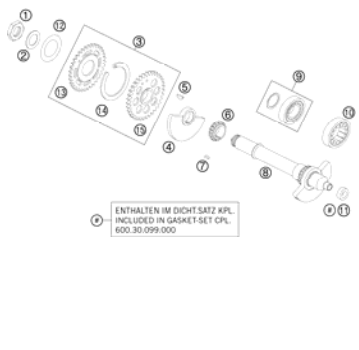
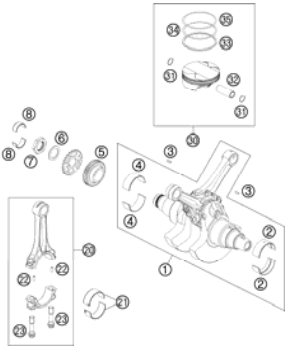
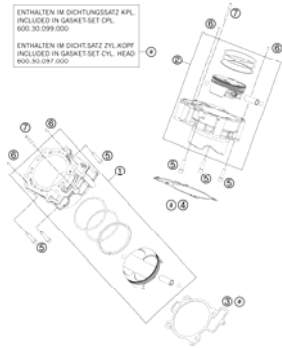
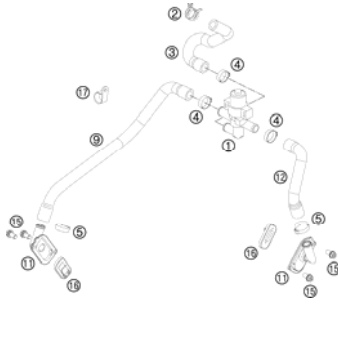
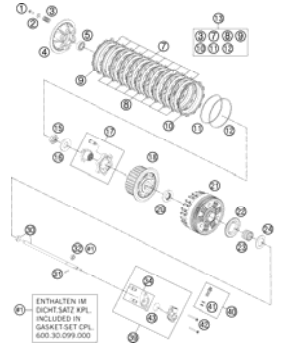
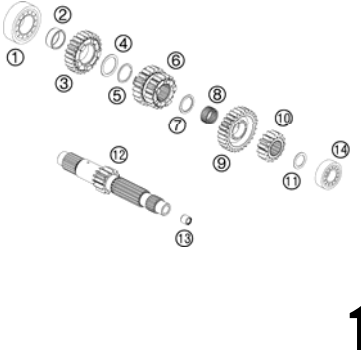
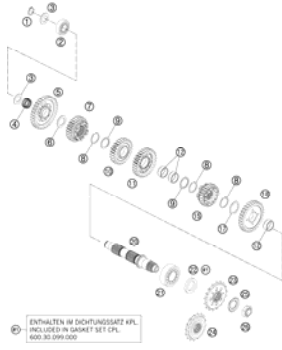
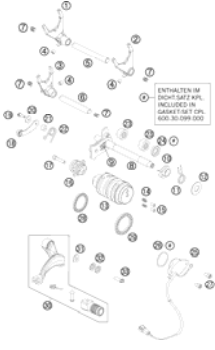
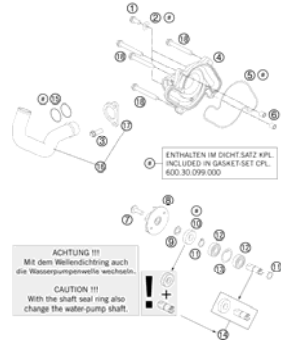
990 ADVENTURE USA 2011 2011

SPARE PARTS MANUAL: ENGINE

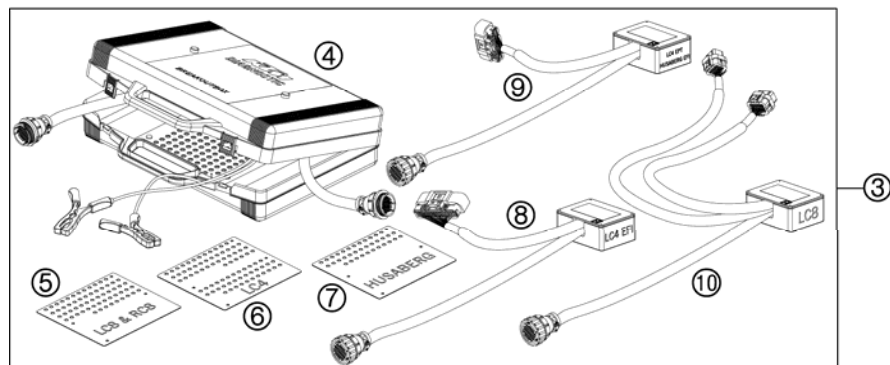
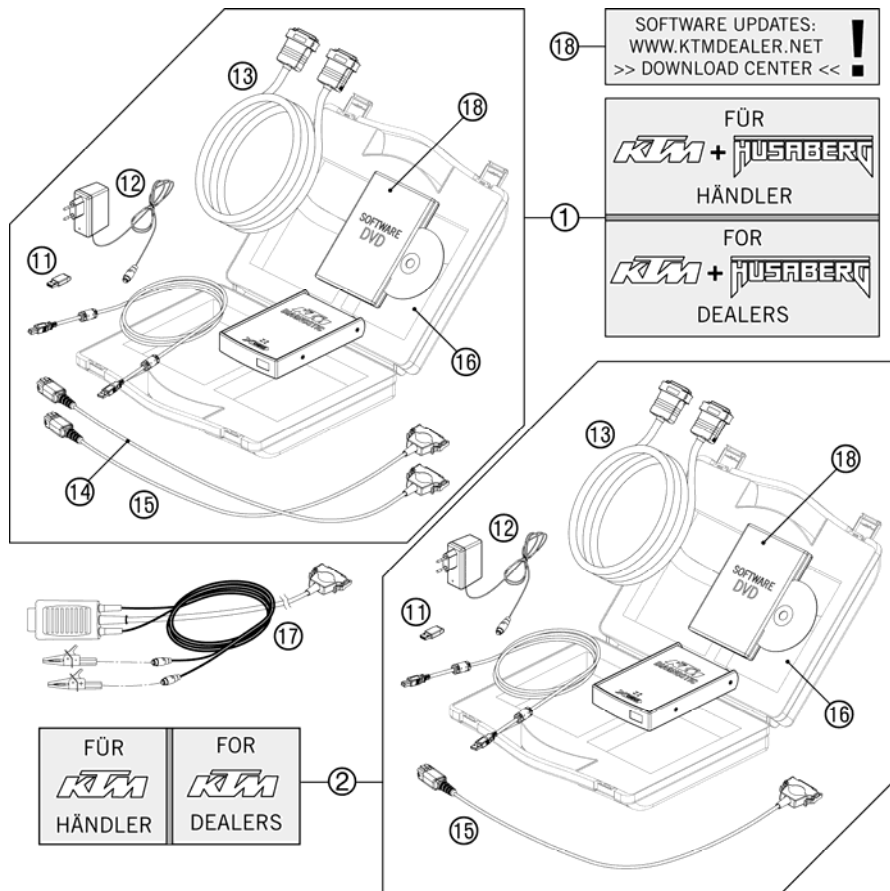
ART.NO.: 3CM089826KEN

ENGLISH



| | | | |
|--|--|---|--|
| DIAGNOSTIC TOOL  <p>SOFTWARE UPDATES DOWNLOADED IN THE DOWNLOAD CENTER FOR HANDLE FOR SEALERS</p> <p>FOR HANDLE FOR SEALERS</p> <p>3</p> | ENGINE CASE  <p>ENTHALTEN IM DICHTSATZ KPL. INCLUDED IN GASKET SET CPL. 600.30.099.000</p> <p>4</p> | CLUTCH COVER  <p>ENTHALTEN IM DICHTSATZ KPL. INCLUDED IN GASKET SET CPL. 600.30.099.000</p> <p>LAGERSCHALE BEARING BUSH 600.30.099.000</p> <p>6</p> | BALANCER SHAFT  <p>ENTHALTEN IM DICHTSATZ KPL. INCLUDED IN GASKET SET CPL. 600.30.099.000</p> <p>7</p> |
| CRANKSHAFT, PISTON  <p>8</p> | CYLINDER  <p>ENTHALTEN IM DICHTSATZ KPL. INCLUDED IN GASKET SET CPL. 600.30.099.000</p> <p>ENTHALTEN IM DICHTSATZ ZYL. KOPF INCLUDED IN GASKET SET CYL. HEAD 600.30.099.000</p> <p>9</p> | SECONDARY AIR SYSTEM  <p>10</p> | CLUTCH  <p>ENTHALTEN IM DICHTSATZ KPL. INCLUDED IN GASKET SET CPL. 600.30.099.000</p> <p>11</p> |
| TRANSMISSION I - MAIN SHAFT  <p>12</p> | TRANSMISSION II - COUNTERSHAFT  <p>ENTHALTEN IM DICHTSATZ KPL. INCLUDED IN GASKET SET CPL. 600.30.099.000</p> <p>13</p> | SHIFT MECHANISM  <p>ENTHALTEN IM DICHTSATZ KPL. INCLUDED IN GASKET SET CPL. 600.30.099.000</p> <p>14</p> | WATER PUMP  <p>ENTHALTEN IM DICHTSATZ KPL. INCLUDED IN GASKET SET CPL. 600.30.099.000</p> <p>ACHTUNG !!! Mit dem Wellendichtring auch die Wasserpumpenwelle wechseln... CAUTION !!! With the shaft seal ring also change the water pump shaft.</p> <p>15</p> |

| | | | |
|---|---|---|--|
| <p>COOLING SYSTEM</p> <p style="text-align: right;">16</p> | <p>VALVE DRIVE</p> <p style="text-align: right;">18</p> | <p>TIMING DRIVE</p> <p style="text-align: right;">19</p> | <p>CYLINDER HEAD REAR</p> <p style="text-align: right;">20</p> |
| <p>CYLINDER HEAD FRONT</p> <p style="text-align: right;">21</p> | <p>LUBRICATING SYSTEM</p> <p style="text-align: right;">23</p> | <p>IGNITION SYSTEM</p> <p style="text-align: right;">25</p> | <p>ELECTRO STARTER</p> <p style="text-align: right;">26</p> |
| <p>THROTTLE BODY</p> <p style="text-align: right;">27</p> | <div style="display: flex; align-items: center;"> <div style="background-color: gray; width: 60px; height: 150px; display: flex; align-items: center; justify-content: center; margin-right: 20px;"> ! </div> <div> <p>All information contained is without obligation. KTM-Sportmotorcycle AG particularly reserves the right to modify any equipment, technical specifications, prices, colors, shapes, materials, services, service work, constructions, equipment and the like so as to adapt them to local conditions or to cancel any of the above items, all without previous announcement and without giving reasons. KTM may stop manufacturing certain models without previous notice. KTM shall not be held liable for any deviations of availability and/or ability to deliver, illustrations, descriptions, printing and/or other errors. The illustrated models partly contain extra equipment, which is not applied to standard models. © by KTM-SPORTMOTORCYCLE AG, Mattighofen AUSTRIA; All rights reserved; Reprint, also in extracts, with written allowance of KTM-SPORTMOTORCYCLE AG, Mattighofen only.</p> </div> </div> | | |



| FIG | PART NUMBER | DESCRIPTION | QTY |
|-----|-------------|--------------------------------|-----|
| 1 | 00029096200 | DIAGNOSTIC TOOL HUSABERG/KTM | 1 |
| 2 | 00029096100 | DIAGNOSTIC TOOL KTM | 1 |
| 3 | 00029095000 | BREAKOUT-BOX KPL. | 1 |
| 4 | 00029095001 | BREAKOUT-BOX | 1 |
| 5 | 00029095005 | TEMPLATE LC8 / RC8 | 1 |
| 6 | 00029095006 | TEMPLATE LC4 | 1 |
| 7 | 00029095007 | TEMPLATE HUSABERG | 1 |
| 8 | 00029095003 | ADAPTER LC4 EFI | 1 |
| 9 | 00029095004 | ADAPTER LC4 EPT/HUSABERG EFI | 1 |
| 10 | 00029095002 | ADAPTER LC8 | 1 |
| 11 | 00029096006 | DIAGNOSTIC HASP DONGLE XC1 | 2 |
| 12 | 00029096003 | POWERSUPPLY 220V/12V FOR AVL | 2 |
| 13 | 00029096002 | EXTENSION CABLE | 2 |
| 14 | 00029096001 | DIAGNOSTIC CABLE HUSABERG | 1 |
| 15 | 00029096009 | DIAGNOSTIC CABLE KTM | 2 |
| 16 | 00029096004 | CASE FOR DIAGNOSTIC-TOOL | 1 |
| 17 | 00029096010 | DIAGN. CABLE EXT. POWER SUPPLY | 1 |
| 18 | 00029096007 | DVD KTM XC-1 UPDATE V2.0 | 2 |

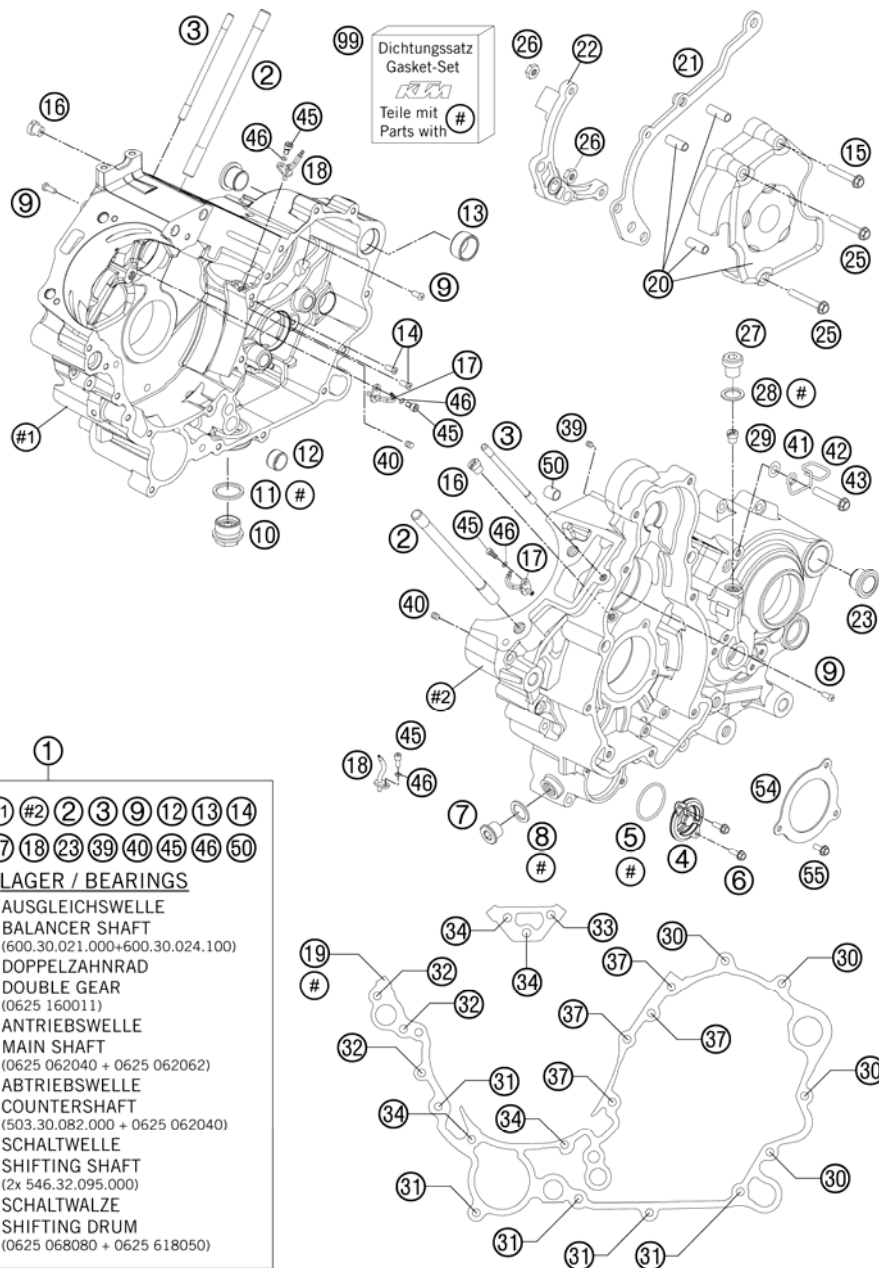
100002921 / C100002921

* NEW PART

X AS REQUIRED

ENGINE CASE

990 ADVENTURE USA 2011 2011



| FIG | PART NUMBER | DESCRIPTION | QTY |
|-----|---------------|--------------------------------|-----|
| 1 | 6113000004423 | ENGINE CASE CPL. WITH BEARINGS | 1 |
| 2 | 60030043100 | STUD M10X161 06 | 8 |
| 3 | 60030043010 | STUD M 6X101 10.9 03 | 2 |
| 4 | 75038041200 | OILFILTER CAP | 1 |
| 5 | 07700390261 | O-RING 39,34X2,62 | 1 |
| 6 | 0025050166 | HH COLLAR SCREW M5X16 TX30 | 2 |
| 7 | 60038033050 | PLUG SCREW M14X1,5 ALU AH | 1 |
| 8 | 0603142016 | CU-SEAL RING 14X20X1,5 LC8 02 | 1 |
| 9 | 0018050103 | INT. TORX OVAL HEAD M 5X10 8.8 | 3 |
| 10 | 58038019050 | DRAIN PLUG W. MAGNET | 1 |
| 11 | 58038017100 | CU-SEAL RING DIN7603-22X27X2 | 1 |
| 12 | 58330023000 | DOWEL 17 X 14 X 9,5 | 1 |
| 13 | 60030023000 | DOWEL 20,1X24X12 03 | 1 |
| 14 | 0019050103 | INT. TORX FLAT HEAD M 5X10 8.8 | 2 |
| 15 | 0025060306 | HH COLLAR SCREW M6X30 TX30 | 1 |
| 16 | 59030054000 | JET 60 DELLORTO M6X0,75 | 2 |
| 17 | 60030066000 | OIL JET CURVED "70" BLUE | 2 |
| 18 | 60030064100 | OIL JET CURVED "70" GREEN | 2 |
| 19 | 60030039100 | ENGINE CASE GASKET 0,5MM 05 | 1 |
| 20 | 60030060044 | CHAIN SPROCKET COVER CPL. 03 | 1 |
| 21 | 60030047000 | CHAIN FAIL. PROTECTION LC8 03 | 1 |
| 22 | 60032063000 | ADAPTER F. HYDR. CLUTCH 03 | 1 |
| 23 | 60030010000 | SWING BEARING OUTSIDE LC8 03 | 2 |
| 25 | 0025060356 | HH COLLAR SCREW M6X35 TX30 | 2 |
| 26 | 0985060003 | SELF LOCK. NUT DIN0985-M 6 | 2 |
| 27 | 49030029000 | OIL DRAIN PLUG M10X1,5 AH-WS=6 | 1 |
| 28 | 0603100141 | COPPER GASKET DIN7603-10X14X1 | 1 |
| 29 | 60038029200 | REDUCING JET "30" M6X0,75 | 1 |
| 30 | 0025060406 | HH COLLAR SCREW M6X40 TX30 | 4 |
| 31 | 0025060606 | HH COLLAR SCREW M6X60 TX30 | 5 |
| 32 | 0025060656 | HH COLLAR SCREW M6X65 TX30 | 3 |
| 33 | 0025060706 | HH COLLAR SCREW M6X70 TX30 | 1 |
| 34 | 0025060756 | HH COLLAR SCREW M6X75 TX30 | 4 |
| 37 | 0025060906 | HH COLLAR SCREW M6X90 TX30 | 4 |
| 39 | 0916050042 | THREAD PIN DIN916 M5X4-45H | 2 |

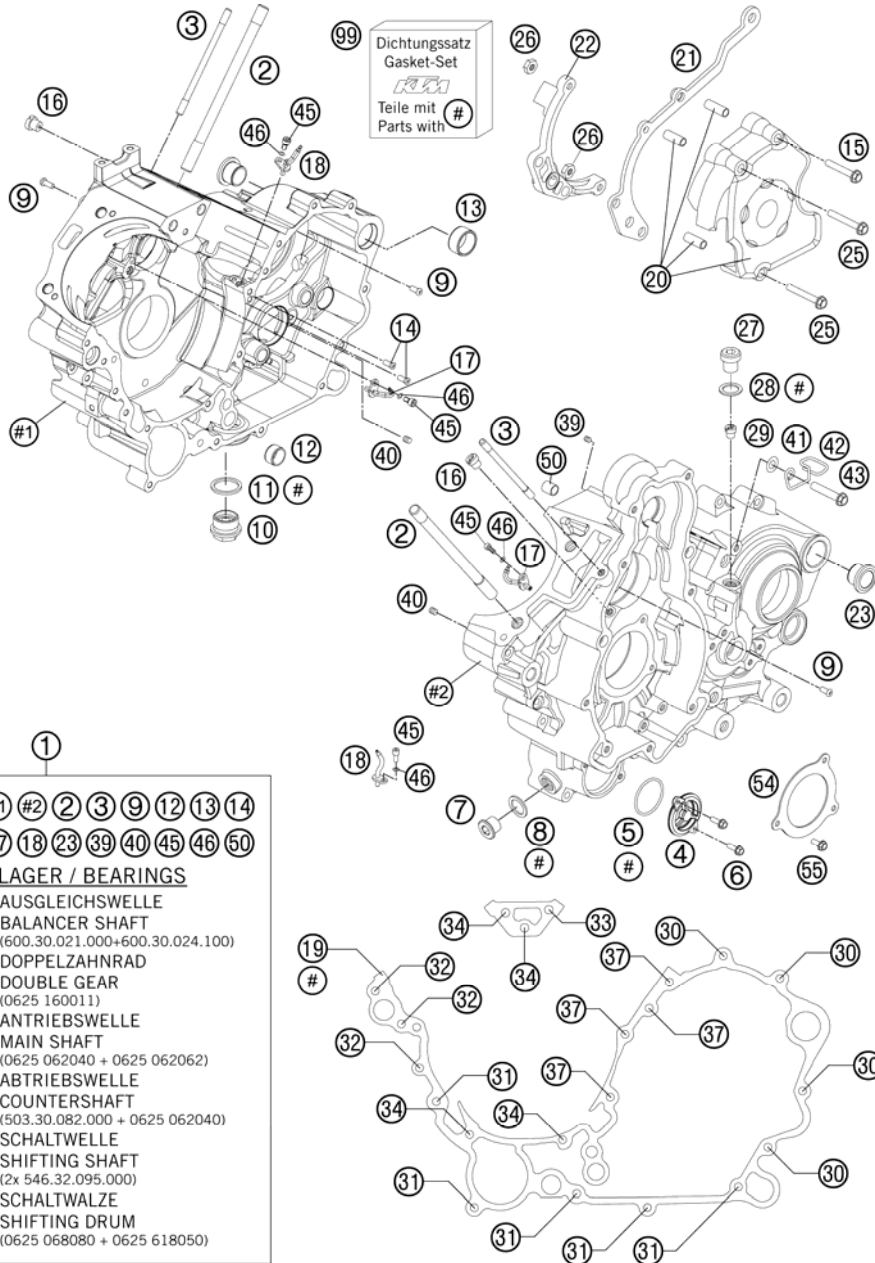
116013010 / C116013010

* NEW PART

X AS REQUIRED

ENGINE CASE

990 ADVENTURE USA 2011 2011



| FIG | PART NUMBER | DESCRIPTION | QTY |
|-----|-------------|-------------------------------|-----|
| 40 | 0551060050 | THREAD PIN DIN0551-M 6X 5 | 2 |
| 41 | 0125060003 | WASHER DIN0125-A 6,4 | 1 |
| 42 | 60011094000 | CABLE SUPPORT 03 | 1 |
| 43 | 0024060156 | HH COLLAR SCREW M6X15 TX30 | 1 |
| 45 | 0912040103 | AH.SCREW DIN0912-M 4X10 | 2 |
| 46 | 0770035020 | O-RING 3,5X2,00 NBR | 2 |
| 50 | 49030090000 | DOWEL 9,8 X 7 X 10 | 2 |
| 54 | 60030084000 | BRACKET FOR BEARING INSERT 05 | 2 |
| 55 | 0025050126 | HH COLLAR SCREW M5X12 TX30 | 6 |
| 99 | 60030099000 | GASKET SET CPL. 03 | 1 |

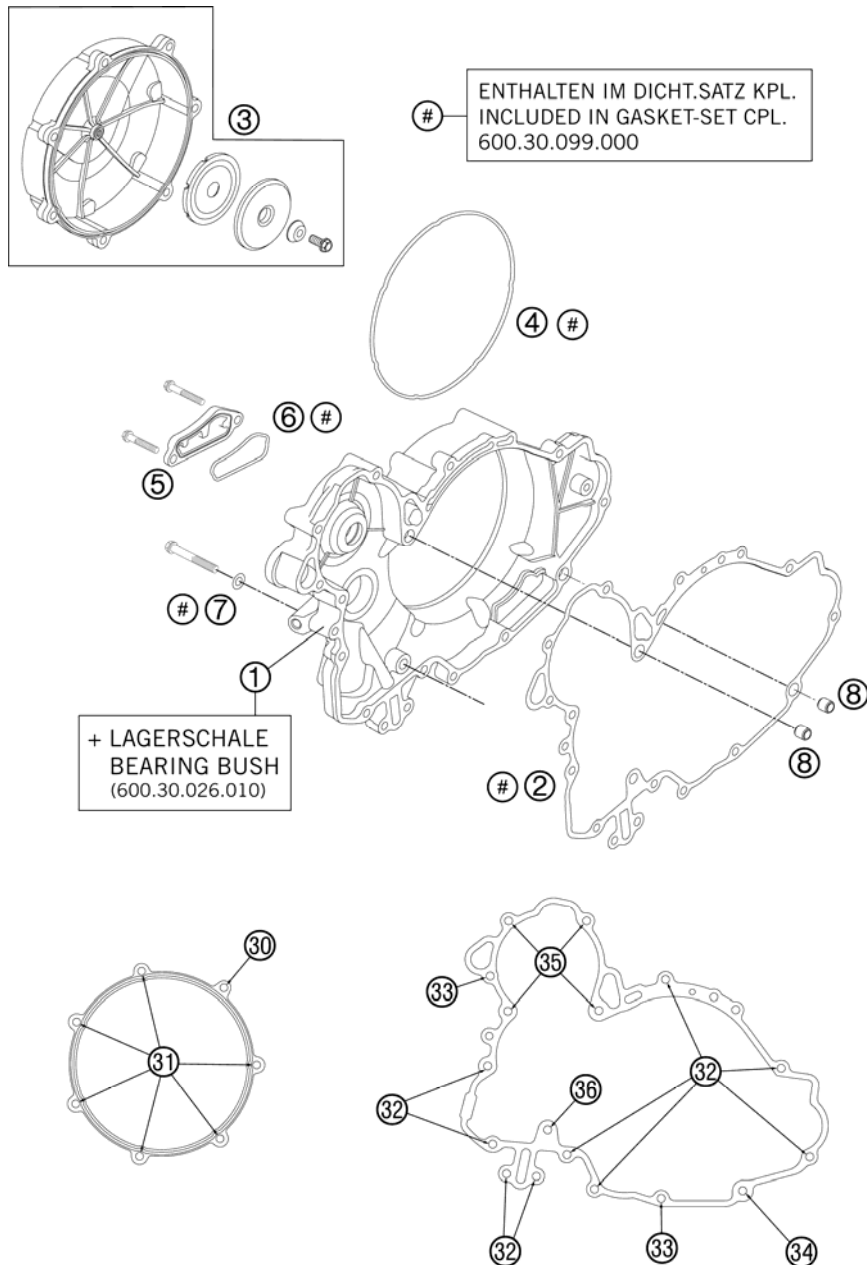
116013010 / C116013010

* NEW PART

X AS REQUIRED

CLUTCH COVER

990 ADVENTURE USA 2011 2011



| FIG | PART NUMBER | DESCRIPTION | QTY |
|-----|---------------|--------------------------------|-----|
| 1 | 6003000114423 | CLUTCH COVER LC8 CPL.08 | 1 |
| 2 | 60030025000 | CLUT.COV. GASK. INSIDE KLI.SIL | 1 |
| 3 | 6003012614423 | CLUTCH OUTSIDE COVER CPL. 06 | 1 |
| 4 | 60030027000 | GASKET RING CLUTCH 2X3,1 VAMAC | 1 |
| 5 | 60030012100 | CLOS. COVER OIL SCR. MILLED 03 | 1 |
| 6 | 60030012050 | MOLDED RING 1,8X2,5 VAMAC 03 | 1 |
| 7 | 0603082131 | COPPER GASK.DIN7603- 8,2X13X1 | 1 |
| 8 | 49030090000 | DOWEL 9,8 X 7 X 10 | 2 |
| 30 | 0025060856 | HH COLLAR SCREW M6X85 TX30 | 1 |
| 31 | 0025060256 | HH COLLAR SCREW M6X25 TX30 | 6 |
| 32 | 0025060306 | HH COLLAR SCREW M6X30 TX30 | 9 |
| 33 | 0025060356 | HH COLLAR SCREW M6X35 TX30 | 2 |
| 34 | 0025060406 | HH COLLAR SCREW M6X40 TX30 | 1 |
| 35 | 0025060606 | HH COLLAR SCREW M6X60 TX30 | 4 |
| 36 | 0025080606 | HH COLLAR SCREW M8x60 TX40 | 1 |

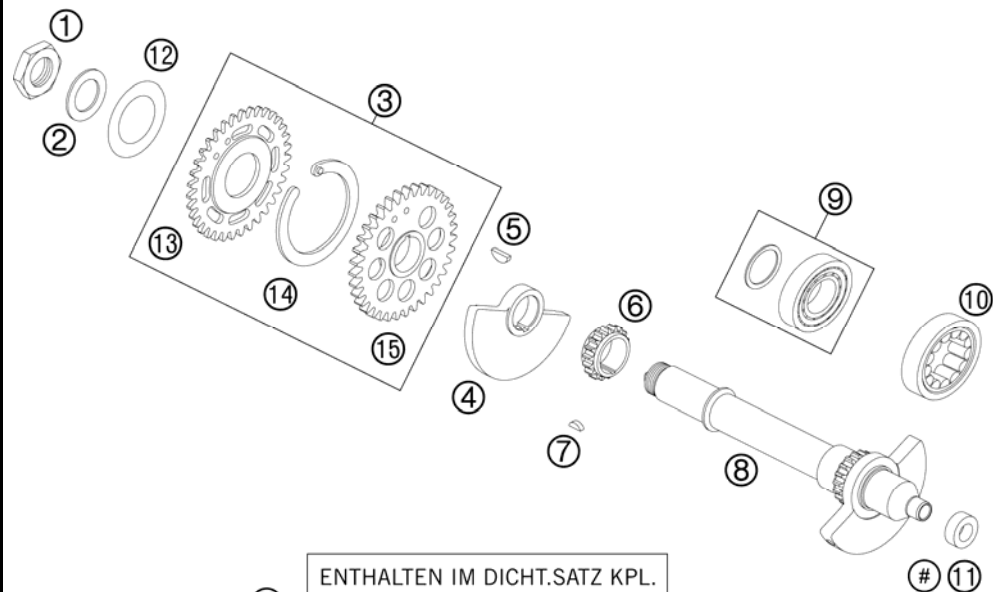
116113020 / C116013020

* NEW PART

X AS REQUIRED

BALANCER SHAFT

990 ADVENTURE USA 2011 2011



ENTHALTEN IM DICTH.SATZ KPL.
INCLUDED IN GASKET-SET CPL.
600.30.099.000

| FIG | PART NUMBER | DESCRIPTION | QTY |
|-----|-------------|--------------------------------|-----|
| 1 | 60036073150 | HEXAGON NUT M20X1,5 H=6MM 05 | 1 |
| 2 | 60033043000 | STOP DISK 20,2 X 34 X 1 | 1 |
| 3 | 60036081000 | SPREAD TRANSMISSION 05 | 1 |
| 4 | 61136074150 | BALANCER WEIGHT R/S | 1 |
| 5 | 0888040050 | WOODRUFF KEY DIN6888 4X5X13 | 1 |
| 6 | 60036014018 | TIMING GEAR 18-T 03 | 1 |
| 7 | 0888030037 | WOODRUFF KEY DIN6888-3X3,7 | 1 |
| 8 | 61136073000 | TIMING VALVE JACKSHAFT CPL. | 1 |
| 9 | 60030024100 | CYL. ROLLER BEAR. NUP 204E | 1 |
| 10 | 60030021000 | CYL.ROLLER BEARING 26,5X47X14 | 1 |
| 11 | 0760122050 | SHAFT SEAL RING 12X20X5 B | 1 |
| 12 | 0093463006 | SPRING WASH. 30,5X46,5X0,6-1,5 | 1 |
| 13 | 60036083035 | CLAMPING WHEEL 35-Z 05 | 1 |
| 14 | 60036081050 | TENSION SPRING 05 | 1 |
| 15 | 60036082035 | DRIVE WHEEL 35-T 05 | 1 |

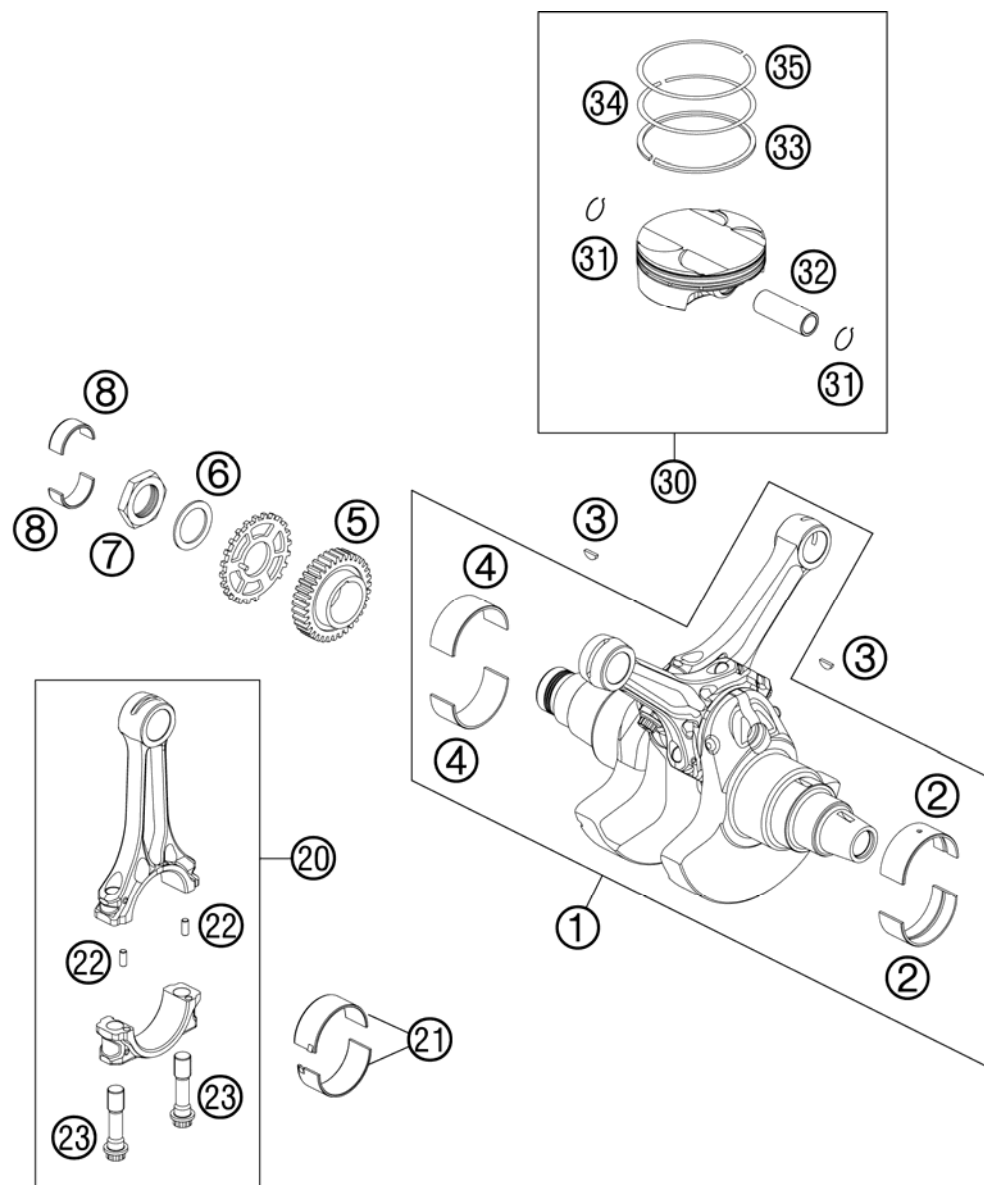
116013030 / C116013030

* NEW PART

X AS REQUIRED

CRANKSHAFT, PISTON

990 ADVENTURE USA 2011 2011



| FIG | PART NUMBER | DESCRIPTION | QTY |
|-----|----------------|--------------------------------|-----|
| 1 | 61130018100 | CRANKSHAFT CPL. M611 | 1 |
| 2 | 60030082000 1 | SPLIT BEAR.BUSH SIZE 1 RED 03 | x |
| 2 | 60030082000 2 | SPLIT BEAR.BUSH SIZE 2 BLUE 03 | x |
| 2 | 60030082000 3 | SPLIT BEAR.BUSH SIZE 3 YELL.03 | x |
| 3 | 0888040050 | WOODRUFF KEY DIN6888 4X5X13 | 2 |
| 4 | 60030182000 1 | SPLIT BEAR.BUSH SIZE 1 RED 03 | x |
| 4 | 60030182000 2 | SPLIT BEAR.BUSH SIZE 2 BLUE 03 | x |
| 4 | 60030182000 3 | SPLIT BEAR.BUSH SIZE 3 YELL.03 | x |
| 5 | 60032023035 | PRIMARY PINION 35 T 03 | 1 |
| 6 | 60032009040 | WASHER 33,2X46X2 03 | 1 |
| 7 | 60032009050 | HH-NUT M33X1,5 L/S WS46 03 | 1 |
| 8 | 60030026010 | BUSHING BOWL 28X32X13 03 | 2 |
| 20 | 61130013000 | CONNECTING ROD CPL. | 2 |
| 21 | 612300151101 | SPLIT BEAR. BUSH RED | x |
| 21 | 612300151102 | SPLIT BEAR. BUSH BLUE | x |
| 21 | 612300151103 | SPLIT BEAR. BUSH YELLOW | x |
| 22 | 60030015061 | CYLINDER PIN 03 | 4 |
| 23* | 61230015100 | CONNECTING ROD SCREW MJ10X1 | 4 |
| 30 | 61130007100 I | PISTON CPL. D=101 08 | x |
| 30 | 61130007100 II | PISTON CPL. D=101 08 | x |
| 31 | 77630074000 | CIRCLIP | 4 |
| 32 | 61230033000 | PISTON PIN D=20 08 | 2 |
| 33 | 61030032000 | OIL SCRAPER RING D=101MM | 2 |
| 34 | 58330932100 | TAP.COMPR.PISTON RING 101X1,25 | 2 |
| 35 | 61030030000 | PISTON RING "L" D=101 H=1,25 | 2 |

116013060 / C116013060

* NEW PART

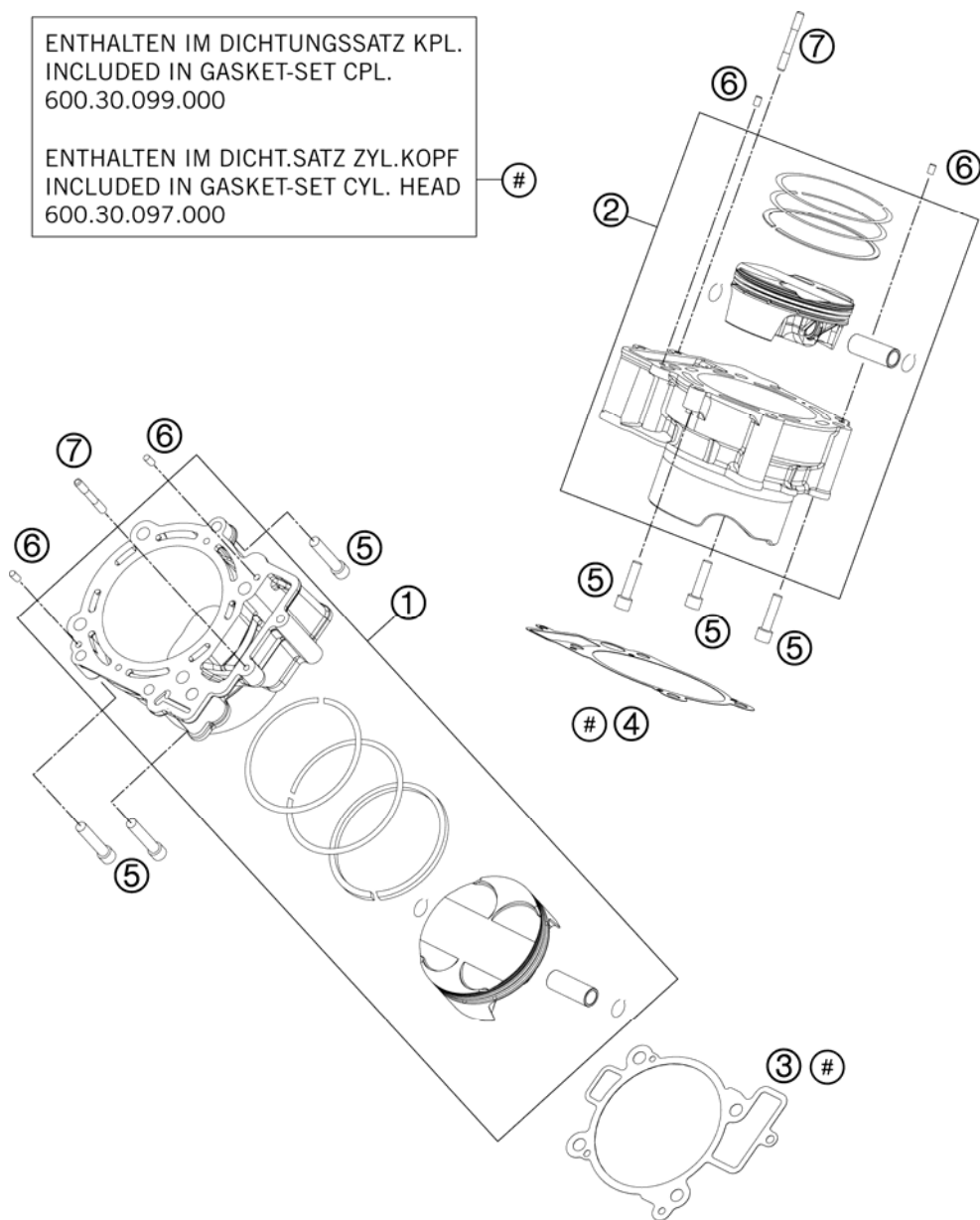
X AS REQUIRED

CYLINDER

990 ADVENTURE USA 2011 2011

ENTHALTEN IM DICHTUNGSSATZ KPL.
INCLUDED IN GASKET-SET CPL.
600.30.099.000

ENTHALTEN IM DICHT.SATZ ZYL.KOPF
INCLUDED IN GASKET-SET CYL. HEAD
600.30.097.000



| FIG | PART NUMBER | DESCRIPTION | QTY |
|-----|---------------|--------------------------------|-----|
| 1 | 6113003810023 | ZYLINDER & PISTON FRONT | 1 |
| 2 | 6113013810023 | ZYLINDER & PISTON REAR | 1 |
| 3 | 60030035000 | CYLINDER-BASE GASKET FR 0,35MM | 1 |
| 4 | 60030135000 | CYLINDER-BASE GASKET RR 0,35MM | 1 |
| 5 | 0912080353 | AH SCREW DIN0912-M 8X35 | 6 |
| 6 | 0474050100 | GROOVED PIN DIN1474 5X10 | 4 |
| 7 | 60030043020 | STUD M6X47 03 | 2 |

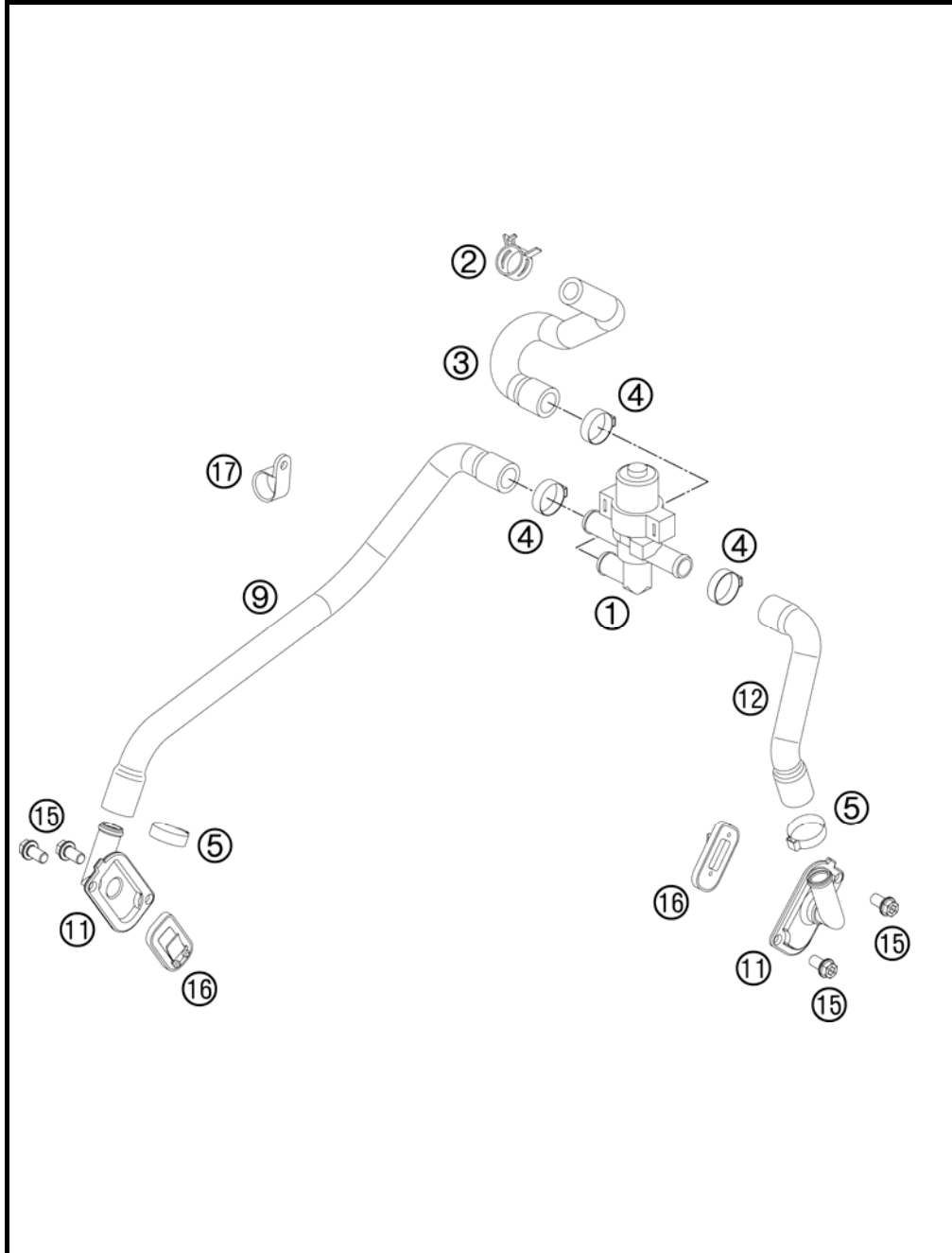
116113040 / C116113040

* NEW PART

X AS REQUIRED

SECONDARY AIR SYSTEM

990 ADVENTURE USA 2011 2011



| FIG | PART NUMBER | DESCRIPTION | QTY |
|-----|-------------|-------------------------------|-----|
| 1 | 61005026000 | CONTROL VALVE SAS 05 | 1 |
| 2 | 00049190121 | CLAMP STD DN19 | 1 |
| 3 | 61005035023 | SAS HOSE AIRBOX 05 | 1 |
| 4 | 00050226706 | VARIABLE ONE-EAR CLAMP 22,6MM | 3 |
| 5 | 00050210706 | VARIABLE ONE-EAR CLAMP 21,0MM | 2 |
| 9 | 61005035021 | SAS HOSE CYLINDER FRONT 05 | 1 |
| 11 | 60005022000 | SAS FLANGE 03 | 2 |
| 12 | 61005035022 | SAS HOSE CYLINDER REAR 05 | 1 |
| 15 | 0025060126 | HH COLLAR SCREW M6X12 TX30 | 4 |
| 16 | 60005026000 | SLS-VALVE 03 | 2 |
| 17 | 57013070400 | PVC CLAMP 17,4MM HEYCO 3381 | 1 |

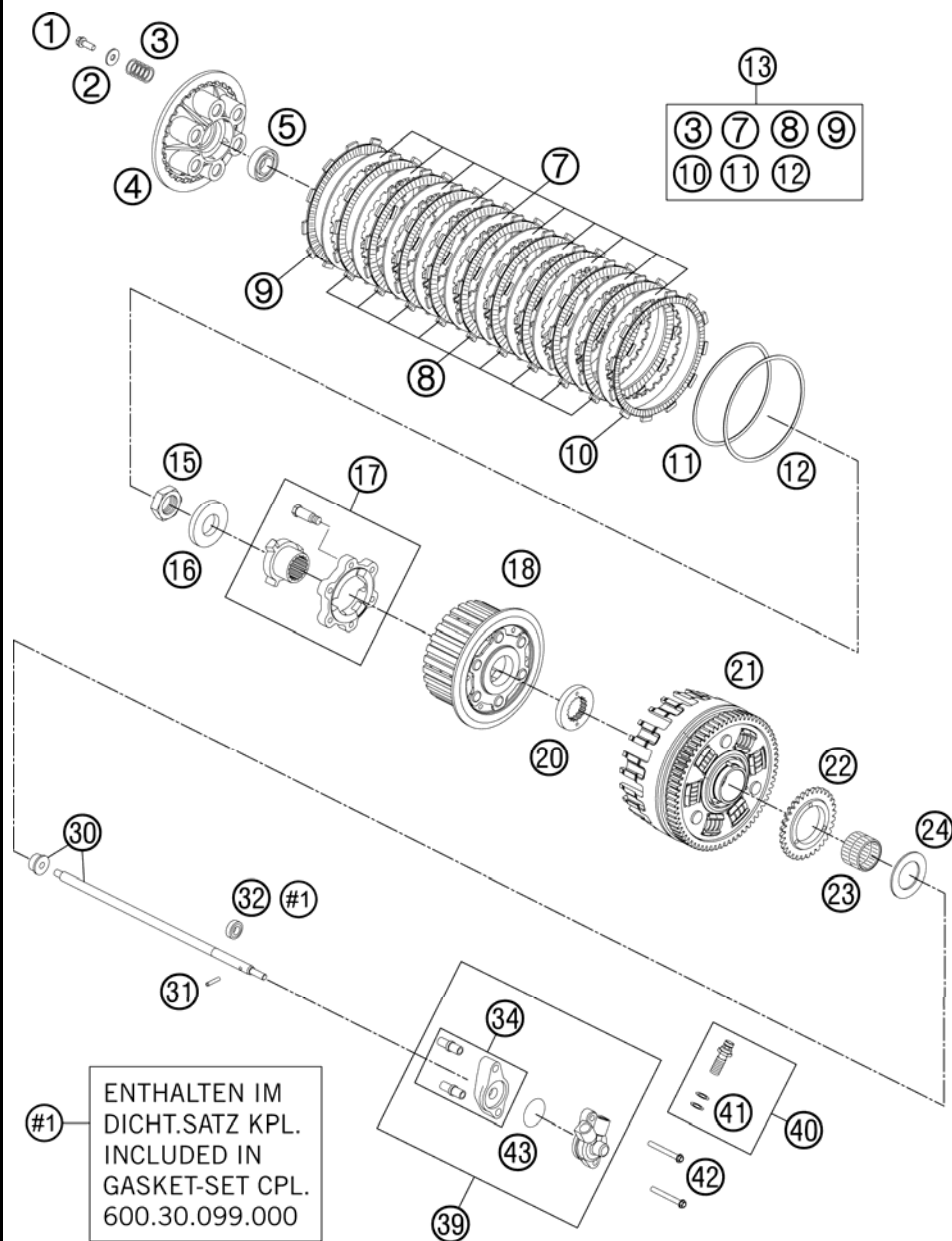
116013130 / C116013130

* NEW PART

X AS REQUIRED

CLUTCH

990 ADVENTURE USA 2011 2011



| FIG | PART NUMBER | DESCRIPTION | QTY |
|-----|-------------|--------------------------------|-----|
| 1 | 0025060166 | HH COLLAR SCREW M6X16 TX30 | 6 |
| 2 | 0021060003 | WASHER DIN9021-A 6,4 | 6 |
| 3 | 60032005000 | CLUTCH SPRING LC8 2003 | 6 |
| 4 | 60032003000 | PRESSURE CAP LC8 2003 | 1 |
| 5 | 0625060032 | BALL BEARING 6003 JR2 C4 | 1 |
| 7 | 60032010000 | STEEL DISC 2MM 03 | 10 |
| 8 | 60032011000 | LINING DISK 2,8MM 03 | 9 |
| 9 | 60032111000 | LINING DISK OUTSIDE 2,8MM 03 | 1 |
| 10 | 60032012000 | LINING DISK TURN OUT 2,8MM 03 | 1 |
| 11 | 60032034000 | BELLEVILLE SPRING 2003 | 1 |
| 12 | 60032035000 | THRUST WASHER 2003 | 1 |
| 13 | 60032011010 | CLUTCH KIT LC8 03-10 | 1 |
| 15 | 0936220155 | HEXAGON NUT DIN0936-M22X1,5 R. | 1 |
| 16 | 0125220393 | PULLEY 22X39X3MM | 1 |
| 17 | 60032080000 | CLUTCH BOOSTER UNIT CPL. 03 | 1 |
| 18 | 60032002000 | INNER CLUTCH HUB CPL. 03 | 1 |
| 20 | 60032021000 | SECTION WASHER 03 | 1 |
| 21 | 60032001144 | OUT.CLUTCH HUB CPL. 67-T 2004 | 1 |
| 22 | 60038001132 | OIL PUMP GEAR WHEEL 32-T 07 | 1 |
| 23 | 0618303526 | NEEDLE BUSH HK 30X35X26 | 1 |
| 24 | 60032020000 | STOP DISK 30,2/50/2 | 1 |
| 30 | 60032054400 | PUSH ROD CPL. | 1 |
| 31 | 0402031780 | NEEDLE ROL.DIN5402 NRB 3X17,8 | 1 |
| 32 | 0760091862 | SHAFT SEAL RING 9X18X06 B-NBR | 1 |
| 34 | 60032061050 | DISTANCE CLUTCH CONTR. CPL. | 1 |
| 39 | 60032061244 | CYLINDER CPL. LC8 08 | 1 |
| 40 | 50332062000 | HOLLOW SCREW CPL. M 10X1 '98 | 1 |
| 41 | 0603100141 | COPPER GASKET DIN7603-10X14X1 | 2 |
| 42 | 0025060506 | HH COLLAR SCREW M6X50 TX30 | 2 |
| 43 | 60032065000 | O-RING GASKET 03 | 1 |

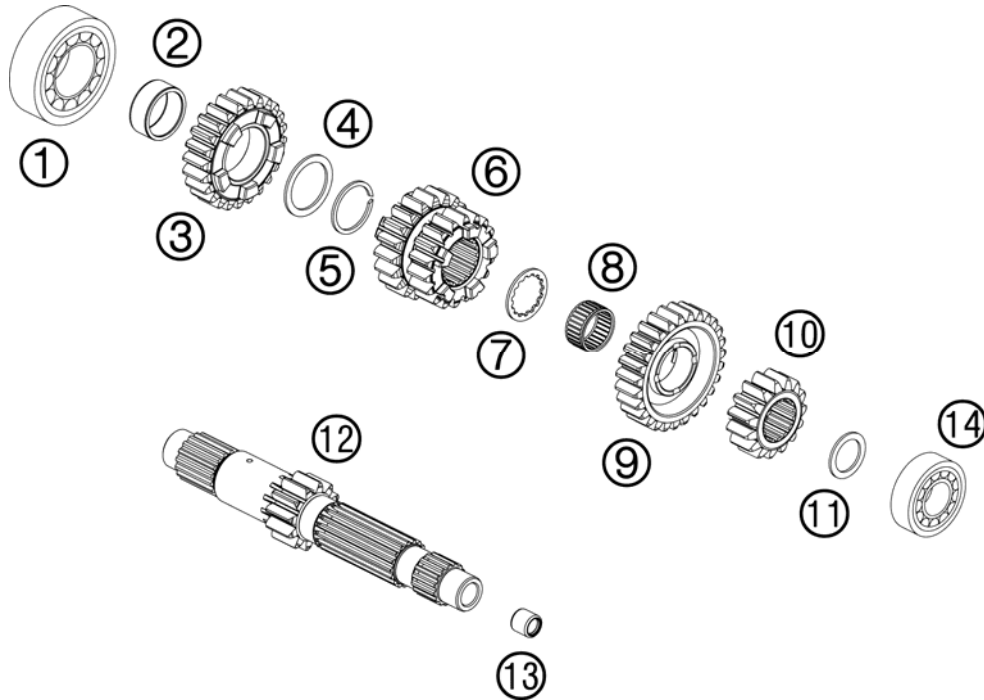
116013210 / C116013210

* NEW PART

X AS REQUIRED

TRANSMISSION I - MAIN SHAFT

990 ADVENTURE USA 2011 2011



| FIG | PART NUMBER | DESCRIPTION | QTY |
|-----|-------------|-------------------------------|-----|
| 1 | 0625062062 | BALL BEARING 6206 C3 J1 NSK | 1 |
| 2 | 0405263113 | NEEDLE BEAR. K 26-31-13 | 1 |
| 3* | 60233005000 | IDLER GEAR 5.G | 1 |
| 4* | 61233042000 | STOP DISK 27,9/35,75/1,5 | 1 |
| 5* | 60233050000 | COPPER WASHER 25,5 | 1 |
| 6* | 60233003000 | SLIDING GEAR 3/4 TH G . | 1 |
| 7* | 61233041000 | STOP DISK 22,2/30,2/1,5 | 1 |
| 8 | 0405222613 | NEEDLE BEAR. K 22X26X13 TN | 1 |
| 9* | 60233006000 | IDLER GEAR 6.G | 1 |
| 10* | 60233002000 | SOLID GEAR 2.G | 1 |
| 11 | 60033040015 | STOP DISK 20,2X28X1,5 | x |
| 11 | 60033040016 | STOP DISK 20,2/28/1,6 | x |
| 11 | 60033040017 | STOP DISK 20,2/28/1,7 | x |
| 11 | 60033040018 | STOP DISK 20,2/28/1,8 | x |
| 11 | 60033040019 | STOP DISK 20,2/28/1,9 | x |
| 11 | 60033040020 | STOP DISK 20,2/28/2,0 | x |
| 11 | 60033040021 | STOP DISK 20,2/28/2,1 | x |
| 11 | 60033040022 | STOP DISK 20,2/28/2,2 | x |
| 12* | 60233001000 | MAIN SHAFT 12-T. | 1 |
| 13 | 0618091312 | NEEDLE BUSH HK0912 9/13/12 03 | 1 |
| 14 | 0625062040 | BALL BEARING 6204 DU J1 C3 | 1 |

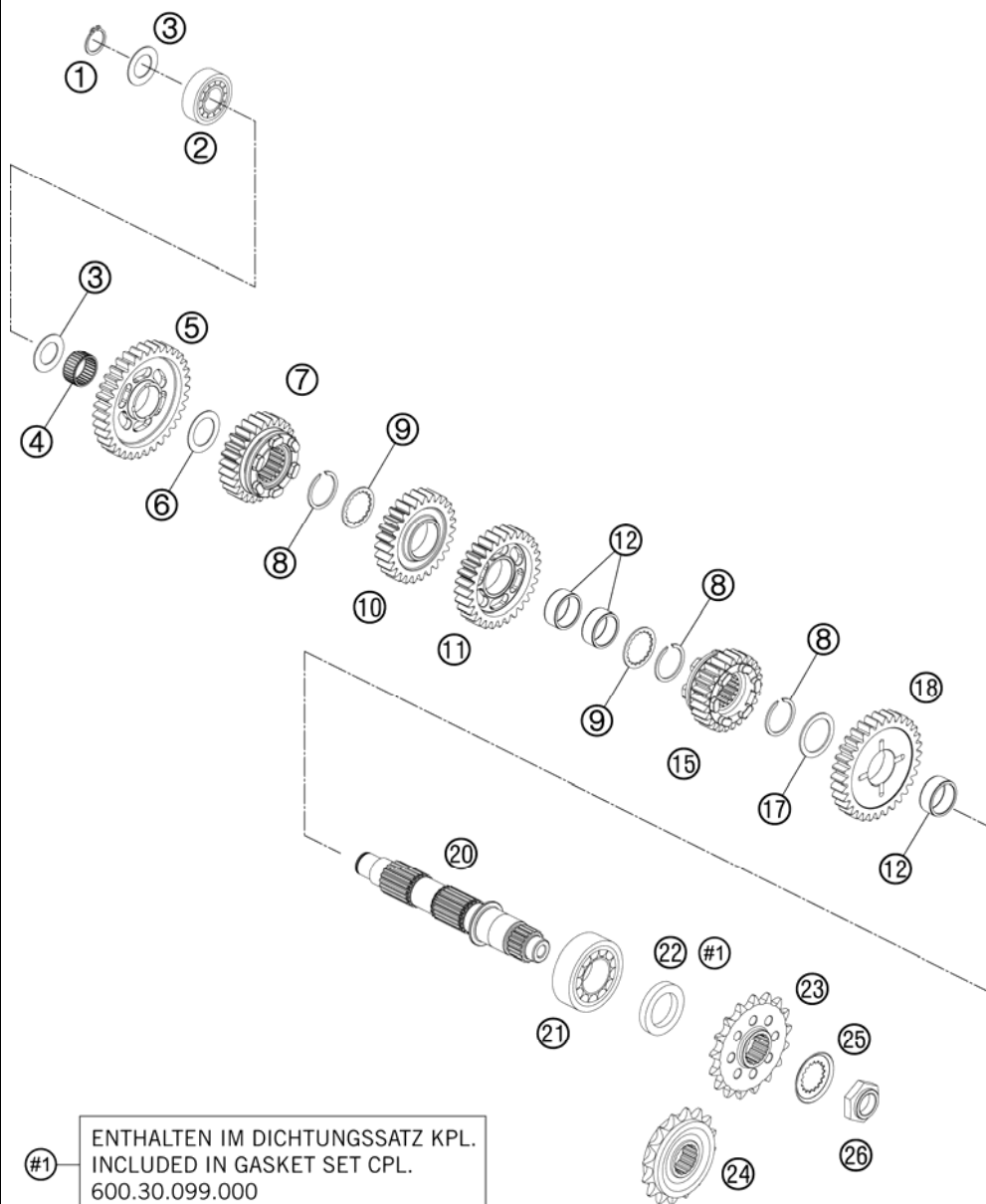
116013330 / C116013330

* NEW PART

X AS REQUIRED

TRANSMISSION II - COUNTERSHAFT

990 ADVENTURE USA 2011 2011



| FIG | PART NUMBER | DESCRIPTION | QTY |
|-----|-------------|--------------------------------|-----|
| 1 | 0471200120 | CIRCLIP DIN471 20X1,2 | 1 |
| 2 | 0625062040 | BALL BEARING 6204 DU J1 C3 | 1 |
| 3 | 60033043000 | STOP DISK 20,2 X 34 X 1 | 2 |
| 4 | 0405242813 | NEEDLE BEAR. K 24X28X13 TN | 1 |
| 5* | 60233011000 | IDLER GEAR 1.G | 1 |
| 6 | 60033044000 | STOP DISK 24,3/35,75/1 | 1 |
| 7* | 60233015000 | SLIDING GEAR 5.G. | 1 |
| 8* | 60233051000 | COPPER WASHER 27,5 | 3 |
| 9* | 61233045000 | STOP DISK 27/36/1,5 | 2 |
| 10* | 60233014000 | IDLER GEAR 4.G | 1 |
| 11* | 60233013000 | IDLER GEAR 3.G | 1 |
| 12 | 0405263113 | NEEDLE BEAR. K 26-31-13 | 3 |
| 15* | 60233016000 | SLIDING GEAR 6.G | 1 |
| 17* | 61233046000 | STOP DISK 29,9/39/1,5 | 1 |
| 18* | 60233012000 | IDLER GEAR 2.G | 1 |
| 20* | 60033110000 | COUNTER SHAFT | 1 |
| 21 | 50330082000 | CYL.ROLLER BEAR.NJ206 ET2XCS46 | 1 |
| 22 | 0760304772 | SH.SEAL RING 30X47X7 BSL VITON | 1 |
| 23 | 60033029017 | CHAIN SPROCKET 17-T 03 | x |
| 23 | 60033129016 | CHAIN SPROCKET 16-T DAMP 03 | x |
| 24 | 60033129017 | CHAIN SPROCKET 17-T DAMPED 03 | x |
| 25 | 60033034000 | SECURING PLATE TOOTHED 03 | 1 |
| 26 | 60033035000 | HEXAGON NUT M20X1,5 03 | 1 |

#1 ENTHALTEN IM DICHTUNGSSATZ KPL.
INCLUDED IN GASKET SET CPL.
600.30.099.000

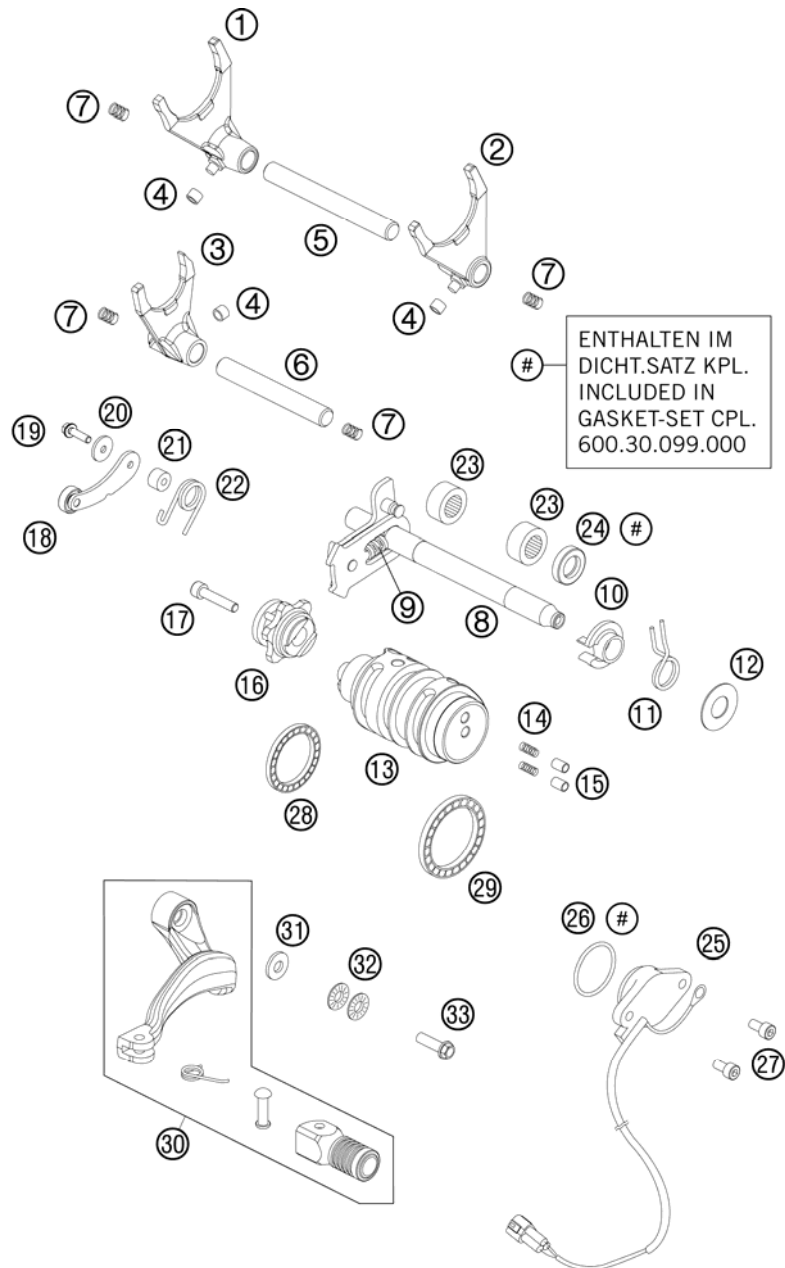
116013360 / C116013360

* NEW PART

X AS REQUIRED

SHIFT MECHANISM

990 ADVENTURE USA 2011 2011



| FIG | PART NUMBER | DESCRIPTION | QTY |
|-----|----------------|--------------------------------|-----|
| 1 | 60034001100 | SHIFT FORK 1-4 GEAR | 1 |
| 2 | 60034002100 | SHIFT FORK 2-3 GEAR | 1 |
| 3 | 60034003100 | SHIFT FORK 5-6 GEAR | 1 |
| 4 | 50334018100 | SHIFTING ROLLER 6X8X5,2 | 3 |
| 5 | 59034020000 | SHIFT RAIL 11,8X105MM | 1 |
| 6 | 59034019000 | SHIFT RAIL 11,8X89MM | 1 |
| 7 | 58038023200 | PRESSURE SPRING 0,9MM | 4 |
| 8 | 60034005044 | SHIFT SHAFT CPL. 03 | 1 |
| 9 | 56534013100 | TENSIONING SPRING 0,8MM | 1 |
| 10 | 54634020000 | SPRING GUIDE | 1 |
| 11 | 54634014100 | RETURN SPRING 2,2MM '95 | 1 |
| 12 | 54634050000 | STOP DISK 14X30X1 | 1 |
| 13 | 60034012300 | SHIFT ROLLER CPL. 06 | 1 |
| 14 | 60034014000 | CONTACT SPRING 03 | 2 |
| 15 | 60034037000 | CONTACT BOLT 03 | 2 |
| 16 | 60034015044 | SHIFT ARRESTING CPL. 03 | 1 |
| 17 | 0912060303 | AH SCREW DIN0912-M 6X30 | 1 |
| 18 | 60034024044 | ARRESTING LEVER CPL. 03 | 1 |
| 19 | 0025050206 | HH COLLAR SCREW M5X20 TX30 | 1 |
| 20 | 0349000050 | WASHER DIN7349-5X15X2 | 1 |
| 21 | 54634052300 | SLEEVE FOR LOCKING LEVER | 1 |
| 22 | 60034023000 | ARRESTING LEVER SPRING 03 | 1 |
| 23 | 54632095000 | NEEDLE BEAR.HK 1412 14X20X12 | 2 |
| 24 | 0760142460 | SHAFT SEAL RING 14X24X6 B | 1 |
| 25 | 60011023100 | GEAR-POSITION SENSOR 06 | 1 |
| 26 | 0770275025 | O-RING 27,5X2,5 NBR | 1 |
| 27 | 0912050123 | AH SCREW DIN0912-M 5X12 | 2 |
| 28 | 0625618052 | BALL BEARING 6805 C3 JR | 1 |
| 29 | 0625068080 | GROOVED BALL BEARING 6808 JRC3 | 1 |
| 30 | 6003403104401S | SHIFT LEVER CPL. 07 | 1 |
| 31 | 50232050001 | STEEL WASHER 6,4X17X3 | 1 |
| 32 | 50233041000 | PAIR OF WASHERS M 6 NORDLOCK | 1 |
| 33 | 59009062019 | SPECIAL SCREW M6X19 WS=8 10.9 | 1 |

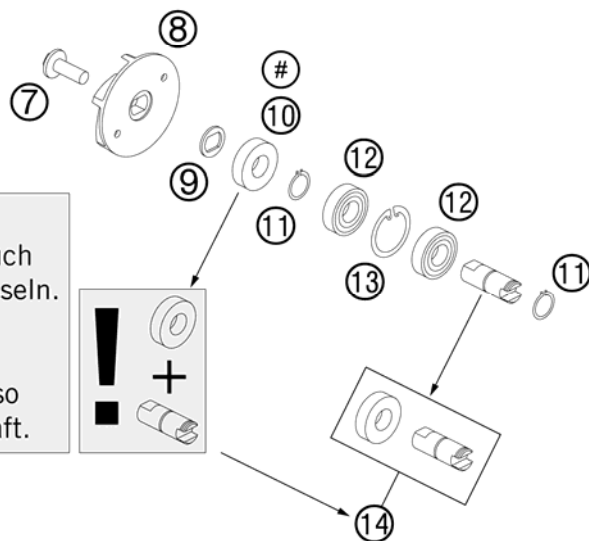
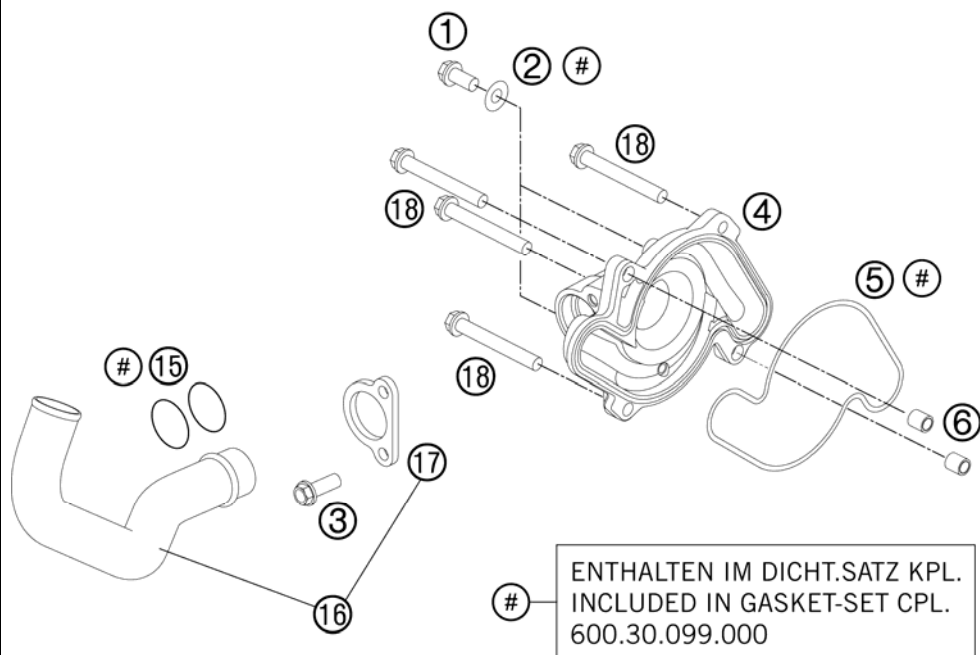
116013410 / C116013410

* NEW PART

X AS REQUIRED

WATER PUMP

990 ADVENTURE USA 2011 2011



| FIG | PART NUMBER | DESCRIPTION | QTY |
|-----|---------------|--------------------------------|-----|
| 1 | 0025060106 | HH COLLAR SCREW M6X10 TX30 | 2 |
| 2 | 0603061001 | CU-SEAL RING DIN7603-6X10X1 | 2 |
| 3 | 0025060166 | HH COLLAR SCREW M6X16 TX30 | 2 |
| 4 | 6003515210023 | MOLDED RING WATER PUMP COV. 09 | 1 |
| 5 | 60035053000 | WATER-PUMP GASKET 03 | 1 |
| 6 | 59030023000 | DOWEL 6X8X11,5 | 2 |
| 7 | 0024060156 | HH COLLAR SCREW M6X15 TX30 | 1 |
| 8 | 61235055000 | WATER PUMP ROTOR 08 | 1 |
| 9 | 60035055150 | FORM WASHER 16X1 NIRO 03 | 1 |
| 10 | 0760123073 | SHAFT SEAL RING 12X30X7 PTFE | 1 |
| 11 | 0471120010 | CIRCLIP DIN0471-12X1 | 2 |
| 12 | 0625069010 | GROOVED BALL BEARING 6901V C3 | 2 |
| 13 | 0472240120 | CIRCLIP DIN472 D=24X1,2 | 1 |
| 14 | 61135054044 | WATER PUMP SHAFT W. SEAL RING | 1 |
| 15 | 0770250030 | O-RING 25,00X3,00 NBR 70 | 2 |
| 16 | 60035021000 | ALUMINUM TUBE WATER-PUMP+CLAMP | 1 |
| 17 | 60035021050 | FIXING CLAMP WATER-P. TUBE 03 | 1 |
| 18 | 0025060606 | HH COLLAR SCREW M6X60 TX30 | 4 |

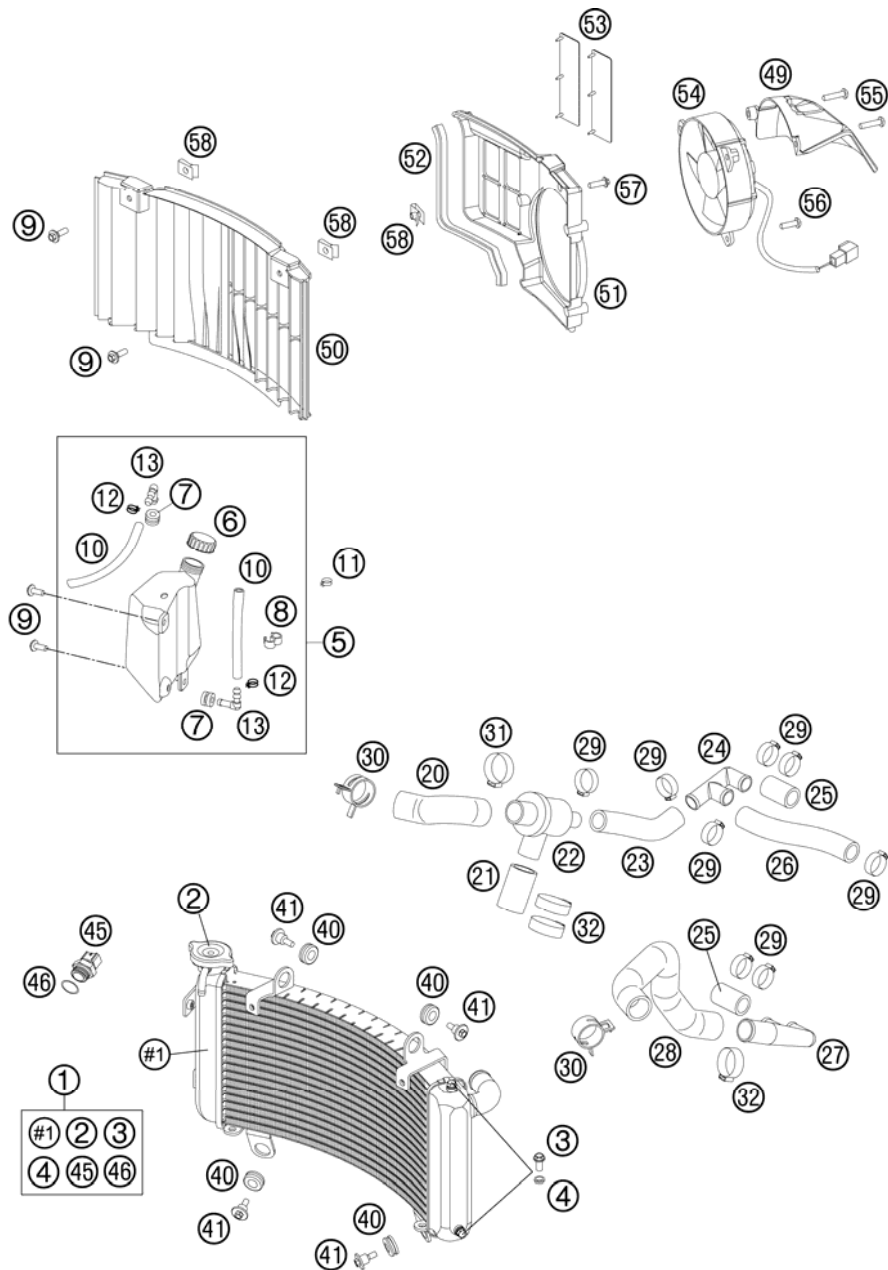
116013510 / C116013510

* NEW PART

X AS REQUIRED

COOLING SYSTEM

990 ADVENTURE USA 2011 2011



| FIG | PART NUMBER | DESCRIPTION | QTY |
|-----|-------------|--------------------------------|-----|
| 1 | 60035010000 | RADIATOR LC8 03 | 1 |
| 2 | 58035016000 | RADIATOR CAP SMALL 20,3 PSI | 1 |
| 3 | 0025060106 | HH COLLAR SCREW M6X10 TX30 | 2 |
| 4 | 60035048000 | ALU-GASKET 6X10X1.5 | 2 |
| 5 | 60035065000 | WATER EXPANSION TANK 03 | 1 |
| 6 | 60035066000 | PLUG F. EXPANSION TANK | 1 |
| 7 | 60035069000 | RUBBER GROMMET 6X9X13MM 04 | 2 |
| 8 | 60038039000 | DISTANCE HOLDER 10/10 BLACK | 1 |
| 9 | 0024060156 | HH COLLAR SCREW M6X15 TX30 | 4 |
| 10 | 60035067001 | HOSE 6X10 EPDM 03 | x |
| 11 | 50231005000 | HOSE CLAMP YDNAC 10119 11MM | 1 |
| 12 | 58007017000 | YDNAC CLAMP 10101 (9MM) | 2 |
| 13 | 60035068000 | ANGLE CONNECTION EXPANS. TANK | 2 |
| 20 | 60035031000 | RADIATOR HOSE THERM./RAD. | 1 |
| 21 | 60035030000 | RADIATOR HOSE THERM./PUMP 03 | 1 |
| 22 | 60035017000 | THERMOSTAT 75° CPL. W. CASE 03 | 1 |
| 23 | 60035025000 | RADIATOR HOSE THERM./DISTR. 03 | 1 |
| 24 | 60035019000 | DISTRIBUTOR R/S 18/18/18MM 03 | 1 |
| 25 | 60035026000 | RADIATOR HOSE CYL./DISTR. 03 | 2 |
| 26 | 60035027000 | RADIATOR HOSE DISTR./DISTR. 03 | 1 |
| 27 | 60035028000 | DISTRIBUTOR L/S 18/18/25MM 03 | 1 |
| 28 | 60035024000 | RADIATOR HOSE RADIATOR L/S 03 | 1 |
| 29 | 00050271708 | VARIABLE ONE-EAR CLAMP 27,1MM | 8 |
| 30 | 00049320121 | CLAMP STD DN32 | 2 |
| 31 | 00050346706 | VARIABLE ONE-EAR CLAMP 34,6MM | 1 |
| 32 | 00050331706 | VARIABLE ONE-EAR CLAMP 33,1MM | 3 |
| 40 | 41001052000 | RUBBER SLEEVE D=12MM | 4 |
| 41 | 60035001000 | SPECIAL SCREW M6X21 WS=8 | 4 |
| 45 | 60035045000 | THERMOSWITCH LC8 102DG '03 | 1 |
| 46 | 0770017015 | O-RING 17X1,5 NB75 | 1 |
| 49 | 60035044050 | FAN CAP 05 | 1 |
| 50 | 60035040000 | RADIATOR PROTECTOR 03 | 1 |
| 51 | 60035044000 | FAN COWL L/S 03 | 1 |
| 52 | 58312085100 | EDGE PROTECTOR PER METER | x |
| 53 | 62635044050 | FAN CLACK RUBBER 08 | 2 |

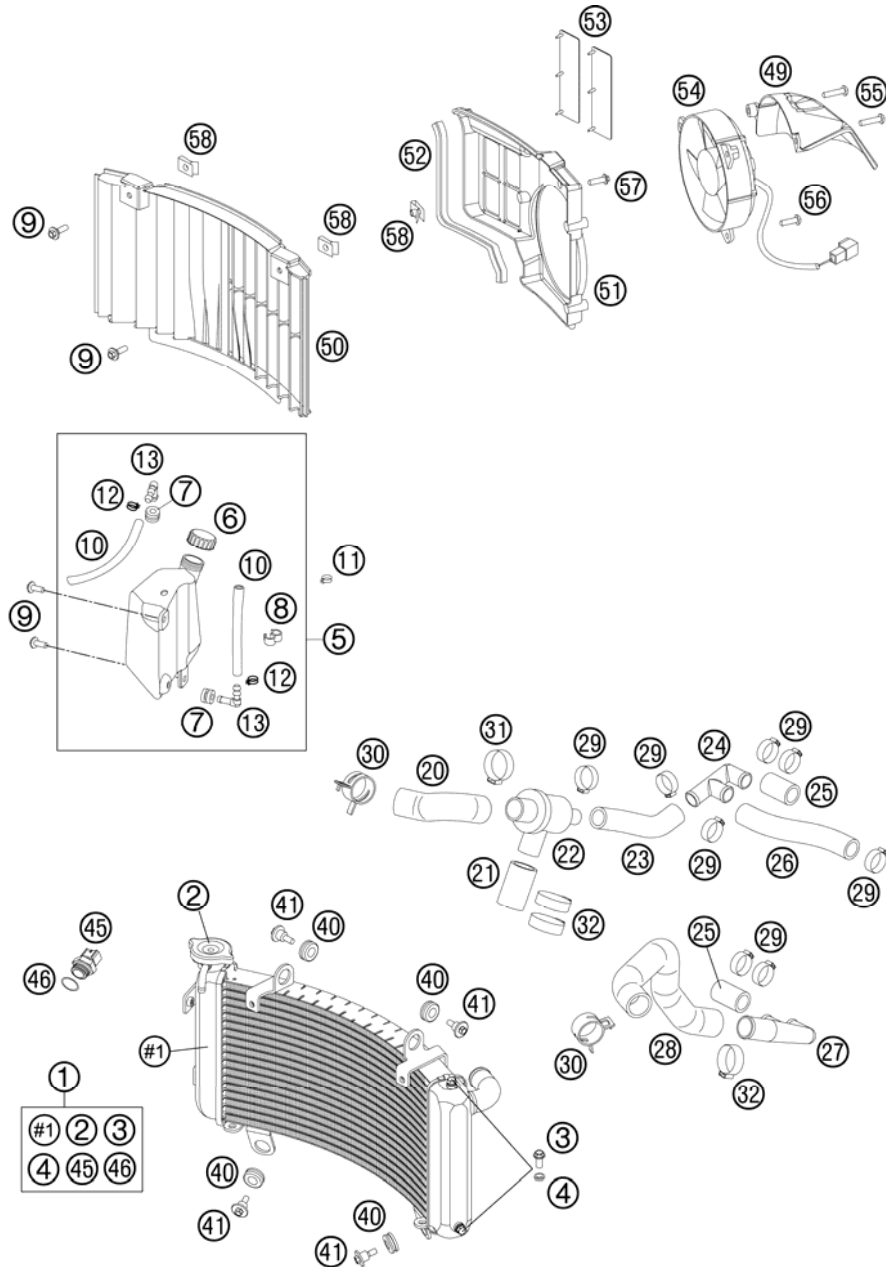
116013530 / C116013530

* NEW PART

X AS REQUIRED

COOLING SYSTEM

990 ADVENTURE USA 2011 2011



| FIG | PART NUMBER | DESCRIPTION | QTY |
|-----|-------------|-----------------------------|-----|
| 54 | 60035041000 | FAN L/S 03 | 1 |
| 55 | 0017060303 | SPECIAL SCREW T60 6X30 WS=6 | 2 |
| 56 | 0017060203 | EJOT PT SCREW K60X20 WS=6 | 1 |
| 57 | 0024060206 | HH COLLAR SCREW M6X20 TX30 | 1 |
| 58 | 54603048100 | RANGE CHANGE METAL NUT M6 | 3 |

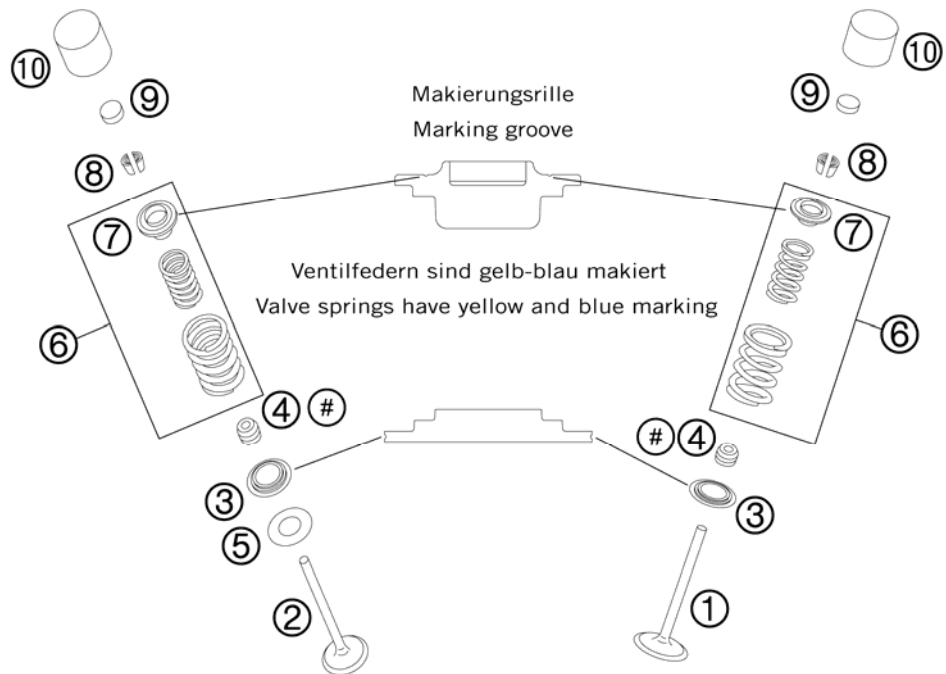
116013530 / C116013530

* NEW PART

X AS REQUIRED

EXHAUST

INTAKE



| FIG | PART NUMBER | DESCRIPTION | QTY |
|-----|-------------|--------------------------------|-----|
| 1 | 60036030000 | INTAKE VALVE 03 | 4 |
| 2 | 60036031100 | EXHAUST VALVE 05 | 4 |
| 3 | 61036036000 | VALVE SPRING HOLDER 05 | 8 |
| 4 | 59036027000 | VALVE-STEM SEALING RACING | 8 |
| 5 | 54634050000 | STOP DISK 14X30X1 EXHAUST | 4 |
| 6 | 61036029044 | VALVE SPRING SET CPL. 05 | 8 |
| 7 | 61036032000 | VALVE SPRING RETAINER STEEL 05 | 8 |
| 8 | 60036033000 | VALVE COLLET MK6 03 | 16 |
| 9 | 60036035200 | SHIM D=10/2,00 03 | x |
| 9 | 60036035205 | SHIM D=10/2,05 03 | x |
| 9 | 60036035210 | SHIM D=10/2,10 03 | x |
| 9 | 60036035215 | SHIM D=10/2,15 03 | x |
| 9 | 60036035220 | SHIM D=10/2,20 03 | x |
| 9 | 60036035225 | SHIM D=10/2,25 03 | x |
| 9 | 60036035230 | SHIM D=10/2,30 03 | x |
| 9 | 60036035235 | SHIM D=10/2,35 03 | x |
| 9 | 60036035240 | SHIM D=10/2,40 03 | x |
| 9 | 60036035245 | SHIM D=10/2,45 03 | x |
| 9 | 60036035250 | SHIM D=10/2,50 03 | x |
| 9 | 60036035255 | SHIM D=10/2,55 03 | x |
| 9 | 60036035260 | SHIM D=10/2,60 03 | x |
| 9 | 60036035265 | SHIM D=10/2,65 03 | x |
| 9 | 60036035270 | SHIM D=10/2,70 03 | x |
| 9 | 60036035275 | SHIM D=10/2,75 03 | x |
| 9 | 60036035280 | SHIM D=10/2,80 03 | x |
| 9 | 60036035285 | SHIM D=10/2,85 03 | x |
| 9 | 60036035290 | SHIM D=10/2,90 03 | x |
| 9 | 60036035295 | SHIM D=10/2,95 03 | x |
| 9 | 60036035300 | SHIM D=10/3,00 03 | x |
| 9 | 60036035305 | SHIM D=10/3,05 03 | x |
| 9 | 60036035310 | SHIM D=10/3,10 03 | x |
| 9 | 60036035315 | SHIM D=10/3,15 03 | x |
| 9 | 60036035320 | SHIM D=10/3,20 03 | x |
| 10 | 61036034000 | BUCKET TAPPET 05 | 8 |

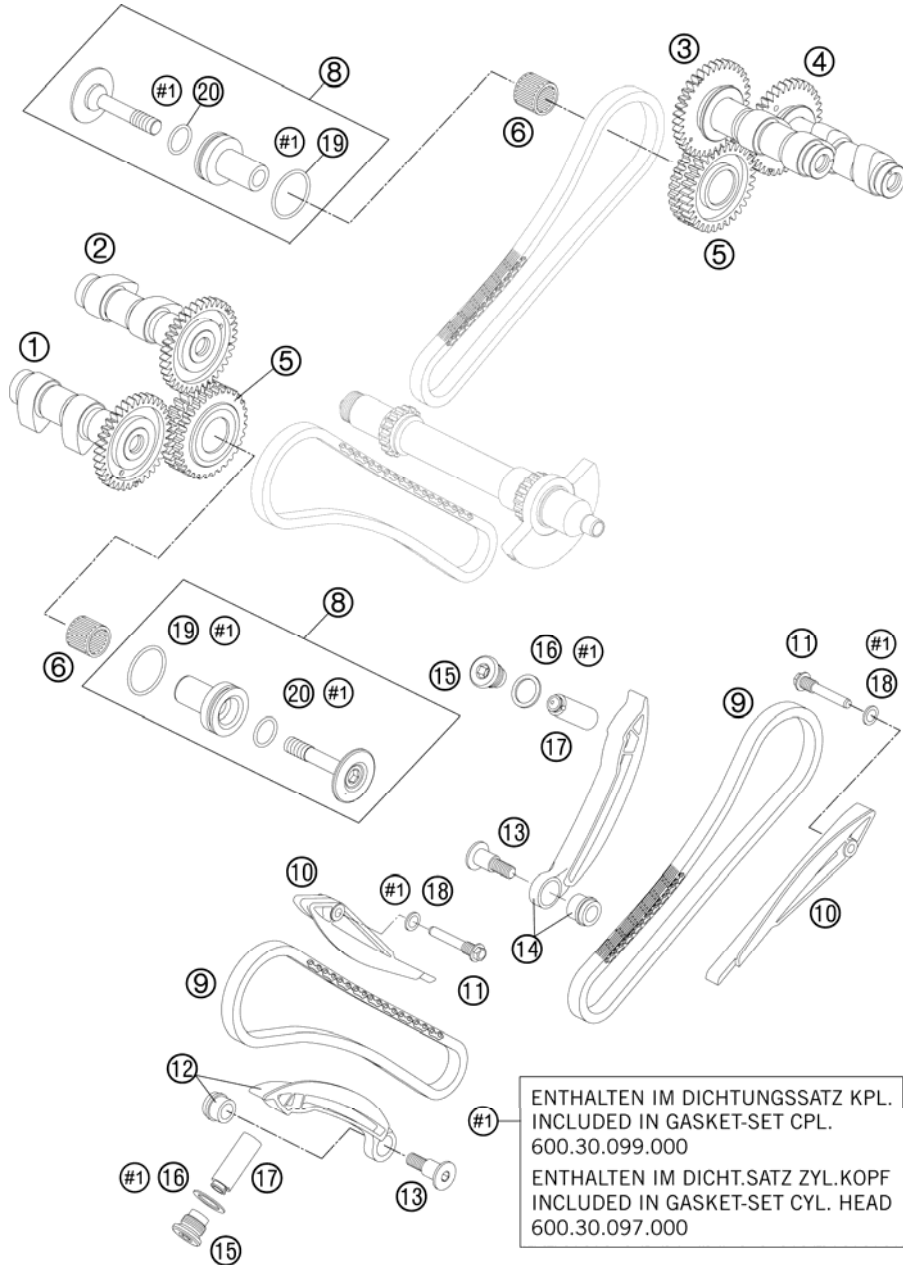
116013610 / C116013610

* NEW PART

X AS REQUIRED

TIMING DRIVE

990 ADVENTURE USA 2011 2011



| FIG | PART NUMBER | DESCRIPTION | QTY |
|-----|-------------|--------------------------------|-----|
| 1 | 61136010000 | CAMSHAFT OUTLET FRONT | 1 |
| 2 | 61136009000 | CAMSHAFT INTAKE FRONT | 1 |
| 3 | 61136109000 | CAMSHAFT INTAKE REAR | 1 |
| 4 | 61136110000 | CAMSHAFT OUTLET REAR | 1 |
| 5 | 60036070000 | TIMING GEARS 32-T CPL. 03 | 2 |
| 6 | 0405182420 | NEEDLE BEARING K18/24/20 | 2 |
| 8 | 60036071100 | BEARING BOLT | 2 |
| 9 | 60036013000 | TOOTH CHAIN 88 LINK 6,35PITCH | 2 |
| 10 | 60036001000 | GUIDE RAIL 03 | 2 |
| 11 | 60036002160 | SPECIAL SCREW M8X29 WS=8 | 2 |
| 12 | 60036002000 | TENSIONER RAIL CPL. FRONT 03 | 1 |
| 13 | 60036002150 | SPECIAL SCREW M8X29 WS=6 | 2 |
| 14 | 60036102000 | TENSIONER RAIL CPL. REAR 03 | 1 |
| 15 | 60036008000 | SCREW PLUG M16X1,5 03 | 2 |
| 16 | 0603162013 | CU SEAL-RING DIN7603 16X20X1,3 | 2 |
| 17 | 60036003000 | TIMING-CH.TENS. HYDR.(75YM) 03 | 2 |
| 18 | 0603082121 | SEAL RING CU DIN7603- 8X12X1 | 2 |
| 19 | 0770290020 | O-RING 29X2 VITON | 2 |
| 20 | 0770160021 | O-RING 16,00X2,00 VITON | 2 |

116013620 / C116013620

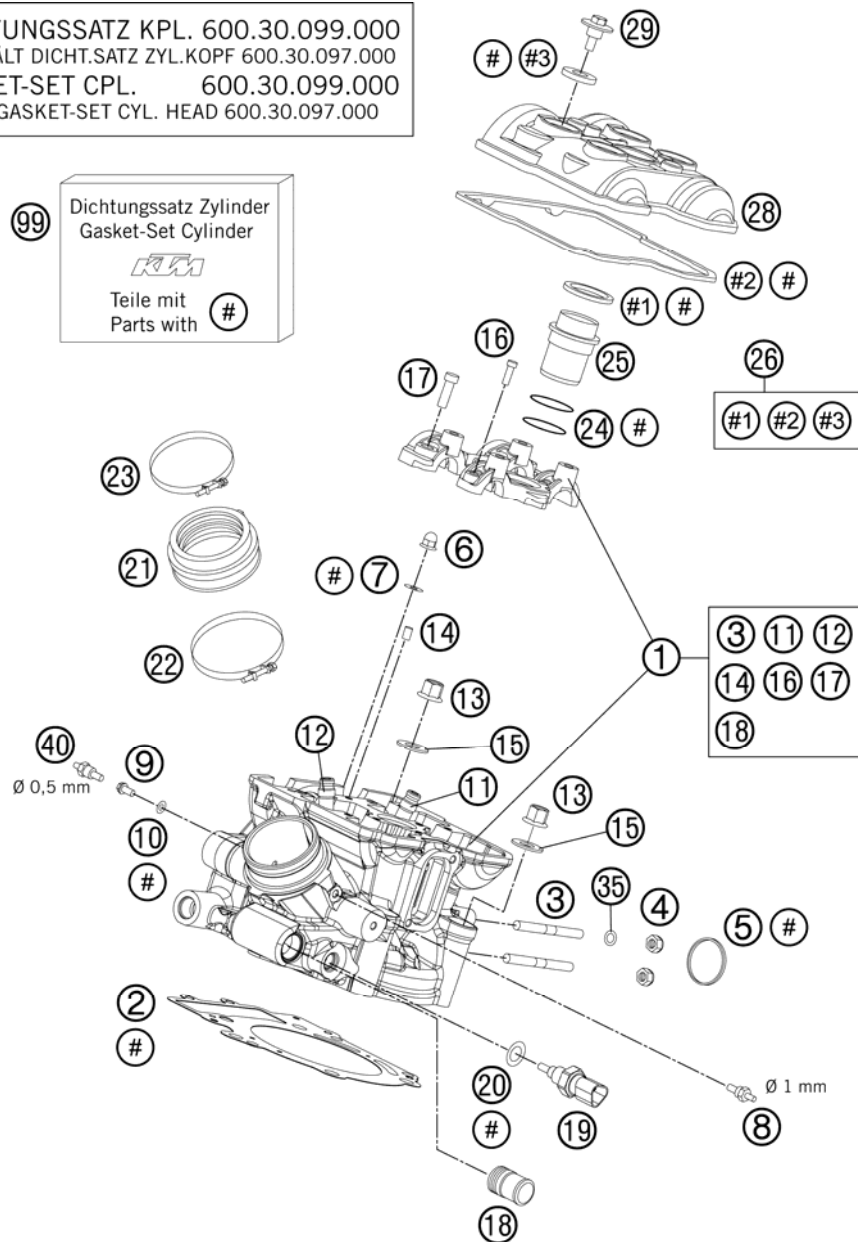
* NEW PART

X AS REQUIRED

CYLINDER HEAD REAR

990 ADVENTURE USA 2011 2011

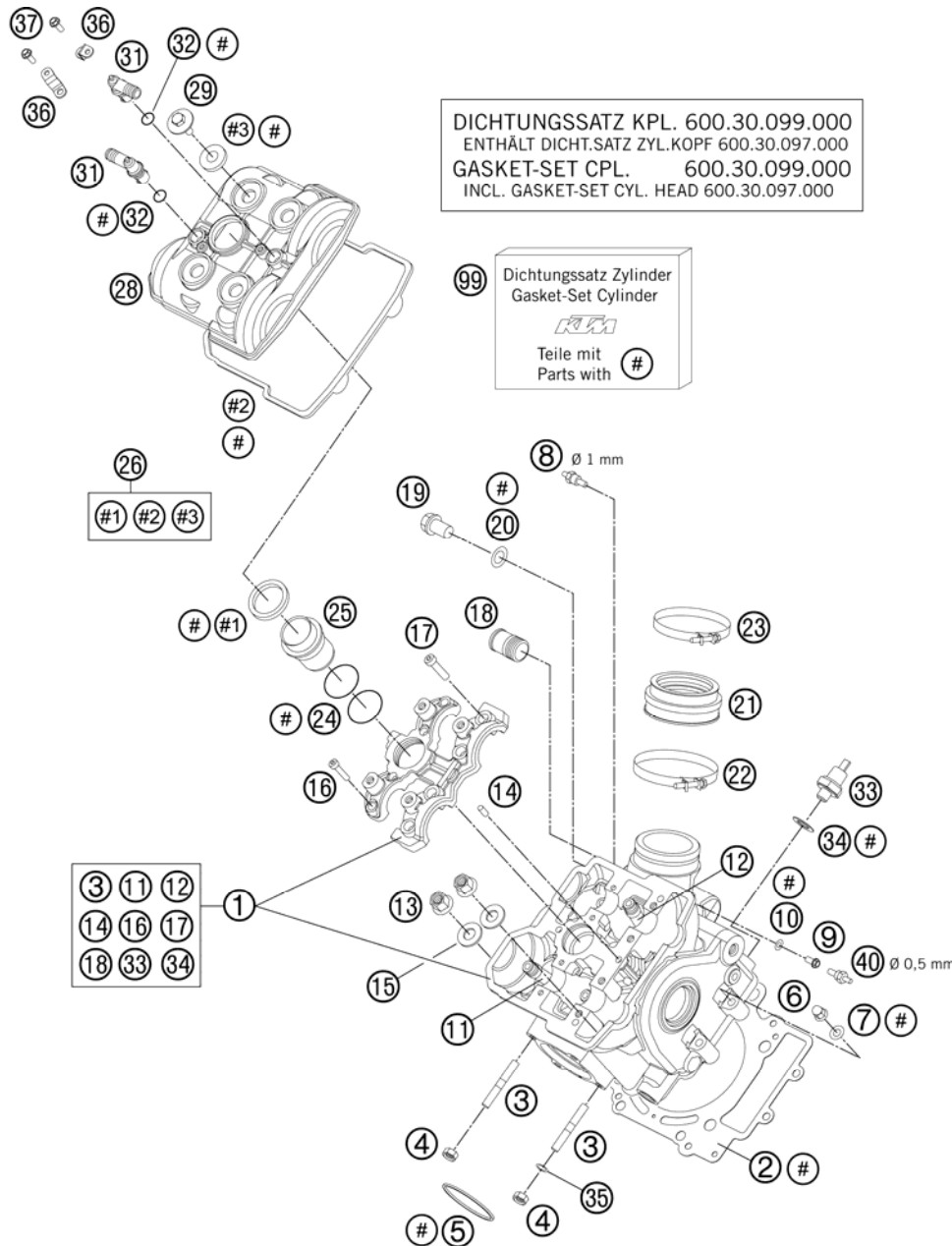
DICHTUNGSSATZ KPL. 600.30.099.000
 ENTHÄLT DICHT.SATZ ZYL.KOPF 600.30.097.000
 GASKET-SET CPL. 600.30.099.000
 INCL. GASKET-SET CYL. HEAD 600.30.097.000



| FIG | PART NUMBER | DESCRIPTION | QTY |
|-----|---------------|--|-----|
| 1 | 6013612014423 | CYLINDER HEAD REAR CPL. | 1 |
| 2 | 60030036000 | CYLINDER HEAD GASKET 0,5 101MM | 1 |
| 3 | 0835080165 | STUD M 8X16 10.9 | 2 |
| 4 | 51010086100 | SELF LOCKING NUT M 8 CU | 2 |
| 5 | 61005005000 | EXHAUST GASKET 05 | 1 |
| 6 | 61230045000 | CAP NUT M6 STAINLESS STEEL | 2 |
| 7 | 0125060003 | WASHER DIN0125-A 6,4 | 2 |
| 8 | 61036023100 | VACUUM CONECTION 2006 | 1 |
| 9 | 0025060106 | HH COLLAR SCREW M6X10 TX30 | 1 |
| 10 | 0603061001 | CU-SEAL RING DIN7603-6X10X1 | 1 |
| 11 | 60036026101 | VALVE GIUDE EXHAUST | 2 |
| 12 | 60036025101 | VALVE GIUDE INTAKE | 2 |
| 13 | 60036078200 | COLLAR NUT M 10 WS=13 05 | 4 |
| 14 | 0402050980 | NEEDLE ROLLER DIN5402 5X9,8 | 2 |
| 15 | 60036078050 | SHIM 10,2X19X1,5MM 05 | 4 |
| 16 | 0912060255 | AH SCREW DIN0912-M 6X25 10.9 | 4 |
| 17 | 0984080305 | AH SCREW DIN7984-M 8X30 10.9 | 4 |
| 18 | 58030010200 | SCREW IN NOZZLE M20X1,5 | 1 |
| 19 | 75035047000 | TEMPERATURE SENSOR WATER 07 | 1 |
| 20 | 0770100020 | O-RING 10,00X2,00 SILCONE | 1 |
| 21 | 61036044000 | RUBBERSLEEVE INTAKE FLANGE 05 | 1 |
| 22 | 61036048000 | HOSE CLAMP GEMI 66MM 05 | 1 |
| 23 | 61036047000 | HOSE CLAMP GEMI 63MM 05 | 1 |
| 24 | 0770298178 | O-RING 29,87X1,78 VITON | 2 |
| 25 | 60136075100 | INSERT SPARK-PLUG SHAFT | 1 |
| 26 | 60036099000 | VALVE COVER GASKET SET FR+RR | 1 |
| 28 | 6003615210023 | VALVE COVER REAR | 1 |
| 29 | 60036052020 | COLLAR SCREW M 6 WS=10 03 | 4 |
| 35 | 0125080003 | WASHER DIN0125-A 8,4 | 1 |
| 40 | 60036023100 | VACUUM CONECTION M6/0,5MM ONLY USA | 1 |
| 99 | 60030097000 | GASKET SET CYL. HEAD KPL. 03 CYLINDER FRONT + REAR | 1 |

CYLINDER HEAD FRONT

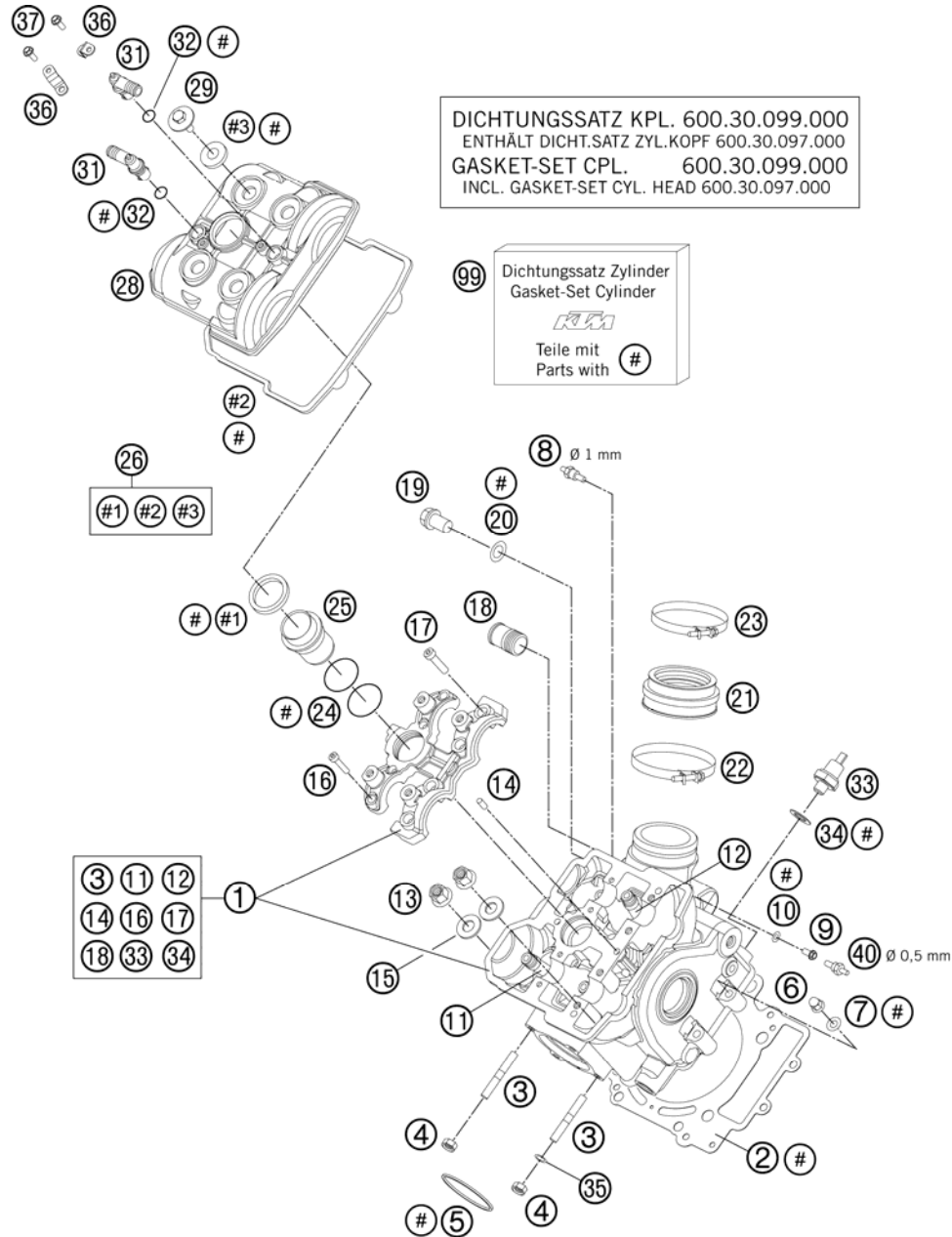
990 ADVENTURE USA 2011 2011



| FIG | PART NUMBER | DESCRIPTION | QTY |
|-----|---------------|--------------------------------|-----|
| 1 | 6013602014423 | CYLINDER HEAD FRONT CPL. 09 | 1 |
| 2 | 60030036000 | CYLINDER HEAD GASKET 0,5 101MM | 1 |
| 3 | 0835080165 | STUD M 8X16 10.9 | 2 |
| 4 | 51010086100 | SELF LOCKING NUT M 8 CU | 2 |
| 5 | 61005005000 | EXHAUST GASKET 05 | 1 |
| 6 | 61230045000 | CAP NUT M6 STAINLESS STEEL | 2 |
| 7 | 0125060003 | WASHER DIN0125-A 6,4 | 2 |
| 8 | 61036023100 | VACUUM CONNECTION 2006 | 1 |
| 9 | 0025060106 | HH COLLAR SCREW M6X10 TX30 | 1 |
| 10 | 0603061001 | CU-SEAL RING DIN7603-6X10X1 | 1 |
| 11 | 60036026101 | VALVE GIUDE EXHAUST | 2 |
| 12 | 60036025101 | VALVE GIUDE INTAKE | 2 |
| 13 | 60036078200 | COLLAR NUT M 10 WS=13 05 | 4 |
| 14 | 0402050980 | NEEDLE ROLLER DIN5402 5X9,8 | 2 |
| 15 | 60036078050 | SHIM 10,2X19X1,5MM 05 | 4 |
| 16 | 0912060255 | AH SCREW DIN0912-M 6X25 10.9 | 4 |
| 17 | 0984080305 | AH SCREW DIN7984-M 8X30 10.9 | 4 |
| 18 | 58030010200 | SCREW IN NOZZLE M20X1,5 | 1 |
| 19 | 0908120153 | PLUG DIN0908-M12X1,5 | 1 |
| 20 | 58038022000 | CU-SEAL RING DIN7603-12X18X1,5 | 1 |
| 21 | 61036044000 | RUBBERSLEEVE INTAKE FLANGE 05 | 1 |
| 22 | 61036048000 | HOSE CLAMP GEMI 66MM 05 | 1 |
| 23 | 61036047000 | HOSE CLAMP GEMI 63MM 05 | 1 |
| 24 | 0770298178 | O-RING 29,87X1,78 VITON | 2 |
| 25 | 60136075100 | INSERT SPARK-PLUG SHAFT | 1 |
| 26 | 60036099000 | VALVE COVER GASKET SET FR+RR | 1 |
| 28 | 6003605210023 | VALVE COVER FRONT | 1 |
| 29 | 60036052020 | COLLAR SCREW M 6 WS=10 03 | 4 |
| 31 | 60038082000 | ANGLE CONNECTOR LC8 03 | 2 |
| 32 | 0770080020 | O-RING 8X2 SILICONE | 2 |
| 33 | 60038091100 | OIL-PRESSURE SWITCH LC8 04 | 1 |
| 34 | 0603100141 | COPPER GASKET DIN7603-10X14X1 | 1 |
| 35 | 0125080003 | WASHER DIN0125-A 8,4 | 1 |
| 36 | 60038082050 | %ANGLE CONNECTOR BRACKET PANEL | 2 |
| 37 | 0009050106 | EJOT SPIRAL SCREW SF M5X10-K | 2 |

CYLINDER HEAD FRONT

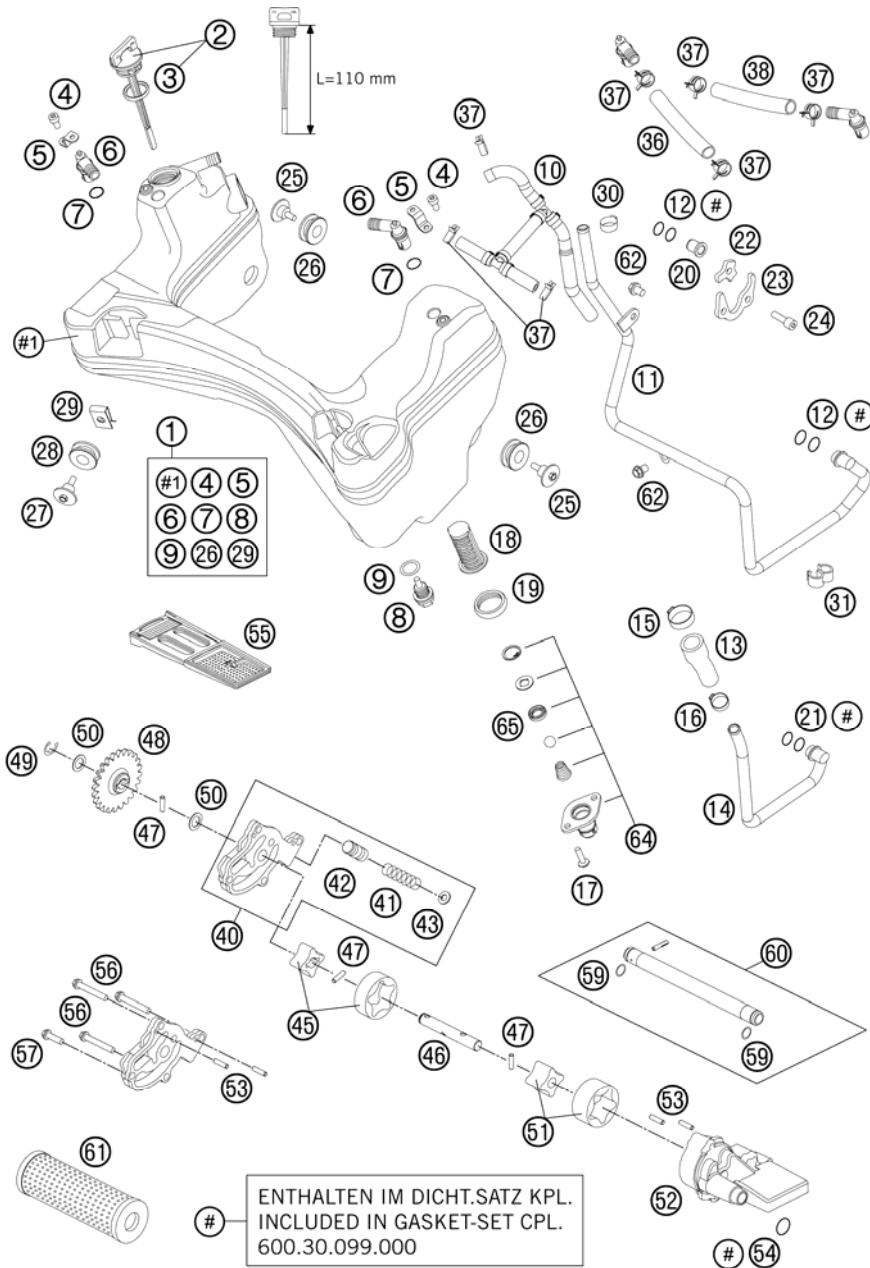
990 ADVENTURE USA 2011 2011



| FIG | PART NUMBER | DESCRIPTION | QTY |
|-----|-------------|--|-----|
| 40 | 60036023100 | VACUUM CONECTION M6/0,5MM ONLY USA | 1 |
| 99 | 60030097000 | GASKET SET CYL. HEAD KPL. 03 CYLINDER FRONT + REAR | 1 |

LUBRICATING SYSTEM

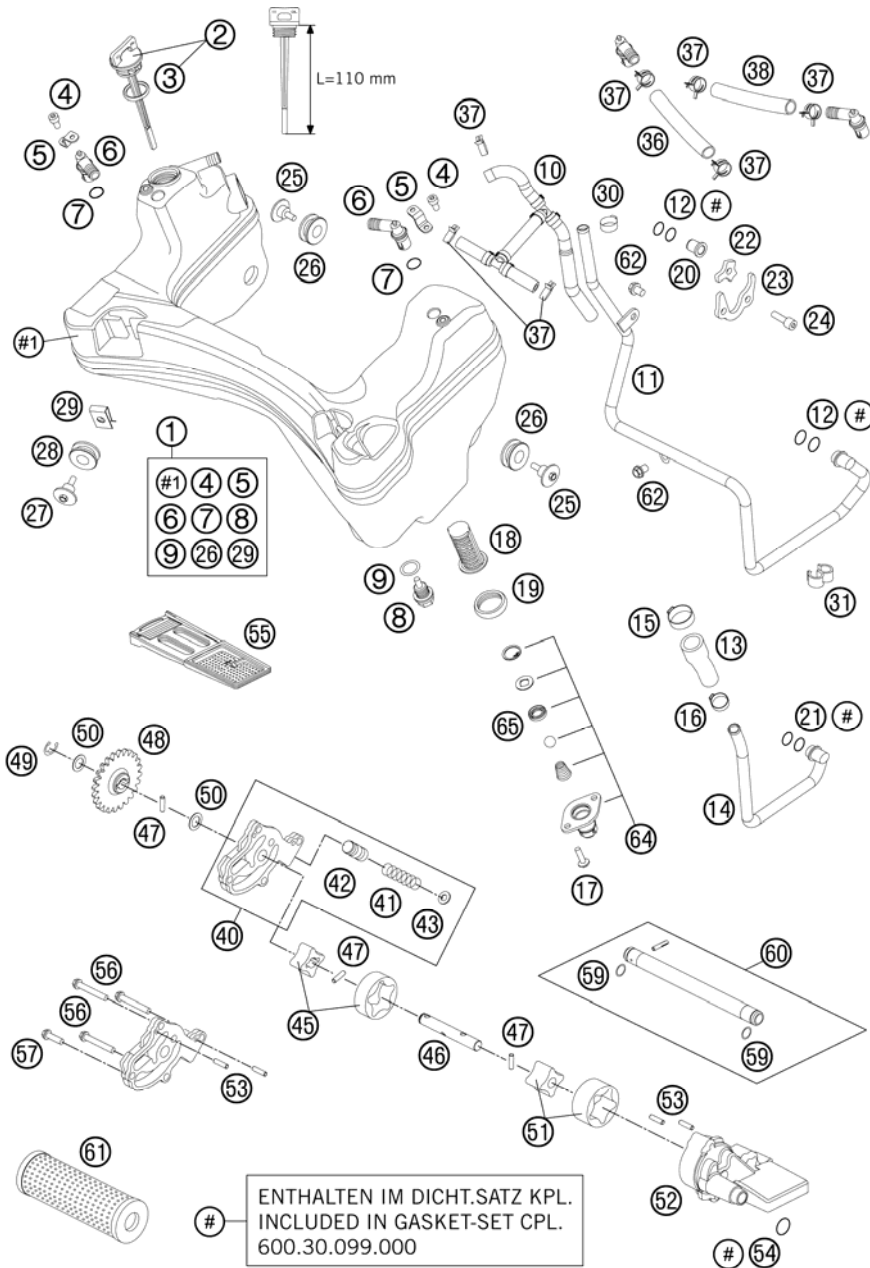
990 ADVENTURE USA 2011 2011



| FIG | PART NUMBER | DESCRIPTION | QTY |
|-----|-------------|--------------------------------|-----|
| 1 | 60038081133 | OIL TANK CPL. | 1 |
| 2 | 60030020100 | OIL DIPSTICK CPL. W. O-RING 05 | 1 |
| 3 | 0770191015 | O-RING 19,00X3,00 NBR | 1 |
| 4 | 0912050103 | AH SCREW DIN0912-M 5X10 | 2 |
| 5 | 60038082050 | %ANGLE CONNECTOR BRACKET PANEL | 2 |
| 6 | 60038082000 | ANGLE CONNECTOR LC8 03 | 2 |
| 7 | 0770080020 | O-RING 8X2 SILICONE | 2 |
| 8 | 58030021000 | OILDRAIN PLUG W.MAG. M 12X1,5 | 1 |
| 9 | 58038022000 | CU-SEAL RING DIN7603-12X18X1,5 | 1 |
| 10 | 60038064000 | T-CONNECTOR W. REDUCTION RING | 1 |
| 11 | 60038061044 | OIL PIPE "B" | 1 |
| 12 | 0770090021 | O-RING 9X2 VITON | 4 |
| 13 | 60038034100 | PRE-FORMED HOSE 10X3,5 | 1 |
| 14 | 60038060044 | OIL PIPE "A" | 1 |
| 15 | 00050226706 | VARIABLE ONE-EAR CLAMP 22,6MM | 1 |
| 16 | 00050198706 | VARIABLE ONE-EAR CLAMP 19,8MM | 1 |
| 17 | 0025060166 | HH COLLAR SCREW M6X16 TX30 | 2 |
| 18 | 60038017000 | OIL SCREEN FINISHED 03 | 1 |
| 19 | 60038018000 | GASKET FOR OIL FILTER HNBR 03 | 1 |
| 20 | 60038024000 | PLUG 10MM LC8 03 | 1 |
| 21 | 0770110021 | O-RING 11X2 VITON | 2 |
| 22 | 60038037000 | RETAINING PLATE 2 LC8 03 | 1 |
| 23 | 60038036000 | RETAINING PLATE 1 LC8 03 | 1 |
| 24 | 0912060163 | AH SCREW DIN0912-M 6X16 | 3 |
| 25 | 60038083000 | SCREW OIL TANK FIXING 03 | 3 |
| 26 | 54605068000 | EXHAUST BRACKET RUBBER BLACK | 3 |
| 27 | 60035001000 | SPECIAL SCREW M6X21 WS=8 | 2 |
| 28 | 41001052000 | RUBBER SLEEVE D=12MM | 2 |
| 29 | 54603048100 | RANGE CHANGE METAL NUT M6 | 2 |
| 30 | 00050185706 | VARIABLE ONE-EAR CLAMP 18,5MM | 1 |
| 31 | 60038039000 | DISTANCE HOLDER 10/10 BLACK | 1 |
| 36 | 60038059130 | OIL TANK BREATHING HOSE R/S | 1 |
| 37 | 00049160121 | CLAMP STD DN16 | 7 |
| 38 | 60038059083 | OIL TANK BREATHING HOSE L/S | 1 |
| 40 | 60038010133 | PRESSURE PUMP HOUSING CPL. 10 | 1 |

LUBRICATING SYSTEM

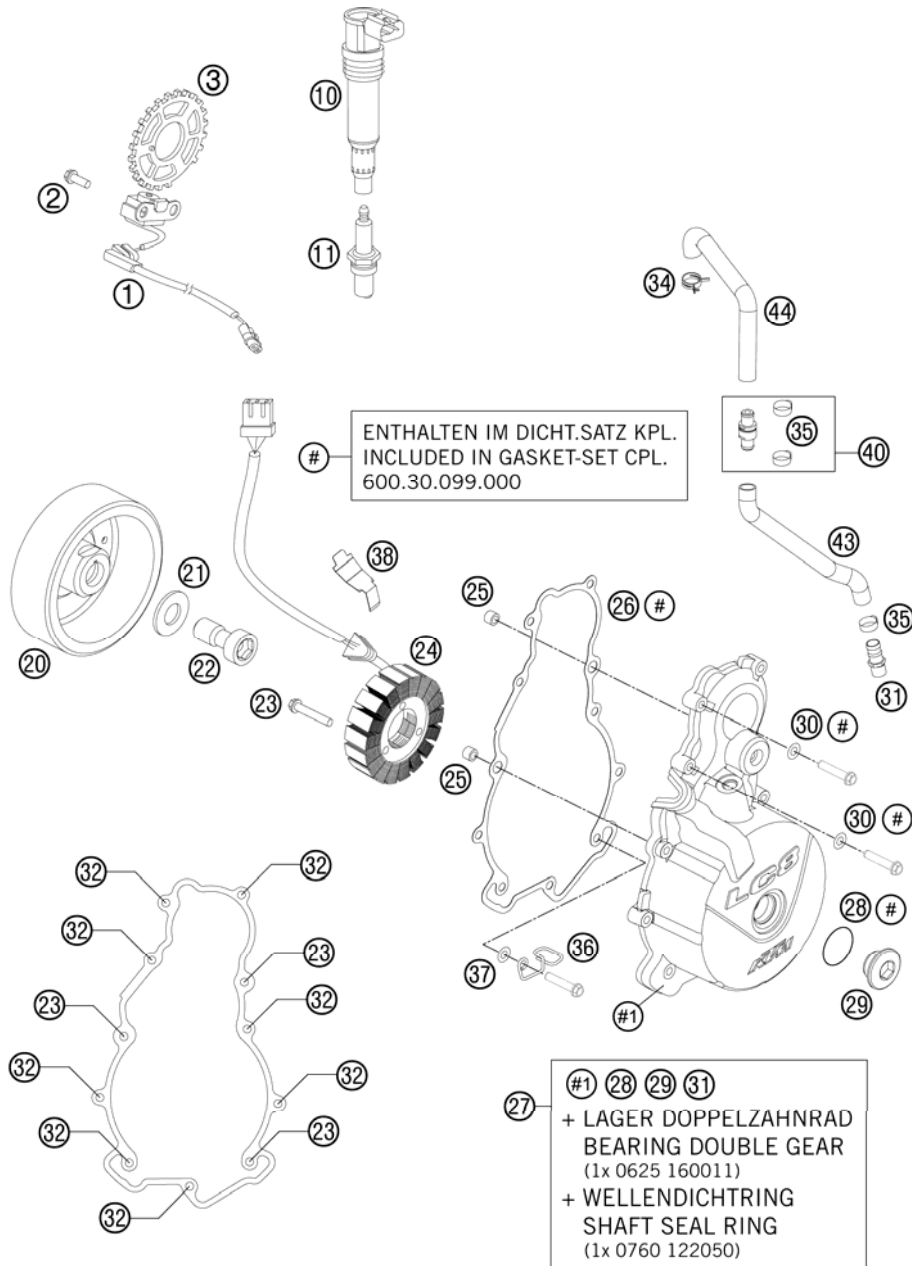
990 ADVENTURE USA 2011 2011



| FIG | PART NUMBER | DESCRIPTION | QTY |
|-----|-------------|------------------------------|-----|
| 41 | 60038026000 | CONTROL SPRING LC8 3,5 BAR | 1 |
| 42 | 60038028000 | CONTROL PISTON LC8 03 | 1 |
| 43 | 50337073000 | SHIM | 1 |
| 45 | 60038011000 | ROTOR-SET PRESSURE PUMP 03 | 1 |
| 46 | 60038002000 | OIL PUMP SHAFT 03 | 1 |
| 47 | 0402041580 | NEEDLE ROLLER NRB 4X15,8 G2 | 3 |
| 48 | 60038001124 | OIL PUMP GEAR 24-T | 1 |
| 49 | 0799080000 | TAB WASHER DIN6799 RS8 | 1 |
| 50 | 60038007010 | WASHER 10X16X0,5 03 | 2 |
| 51 | 60038009000 | ROTOR-SET 19MM 03 | 1 |
| 52 | 60038008000 | SUCTION PUMP CASE 03 | 1 |
| 53 | 0402040980 | NEEDLE ROL.DIN5402 NRB 4X9,8 | 4 |
| 54 | 0770133024 | O-RING 13,3X2,4 VITON | 1 |
| 55 | 60038016000 | OIL SCREEN 03 | 1 |
| 56 | 0025060406 | HH COLLAR SCREW M6X40 TX30 | 3 |
| 57 | 0025060256 | HH COLLAR SCREW M6X25 TX30 | 1 |
| 59 | 0770010010 | O-RING 10,00X1,00 NBR 70 SH | 2 |
| 60 | 60030065100 | OIL INJECTION TUBE GEAR 05 | 1 |
| 61 | 60038015000 | OIL FILTER 03 | 1 |
| 62 | 0025060106 | HH COLLAR SCREW M6X10 TX30 | 2 |
| 64 | 60038060102 | OIL TANK VALVE CPL. | 1 |
| 65 | 0760101842 | SHAFT SEAL R.10X18X4 B-VITON | 1 |

IGNITION SYSTEM

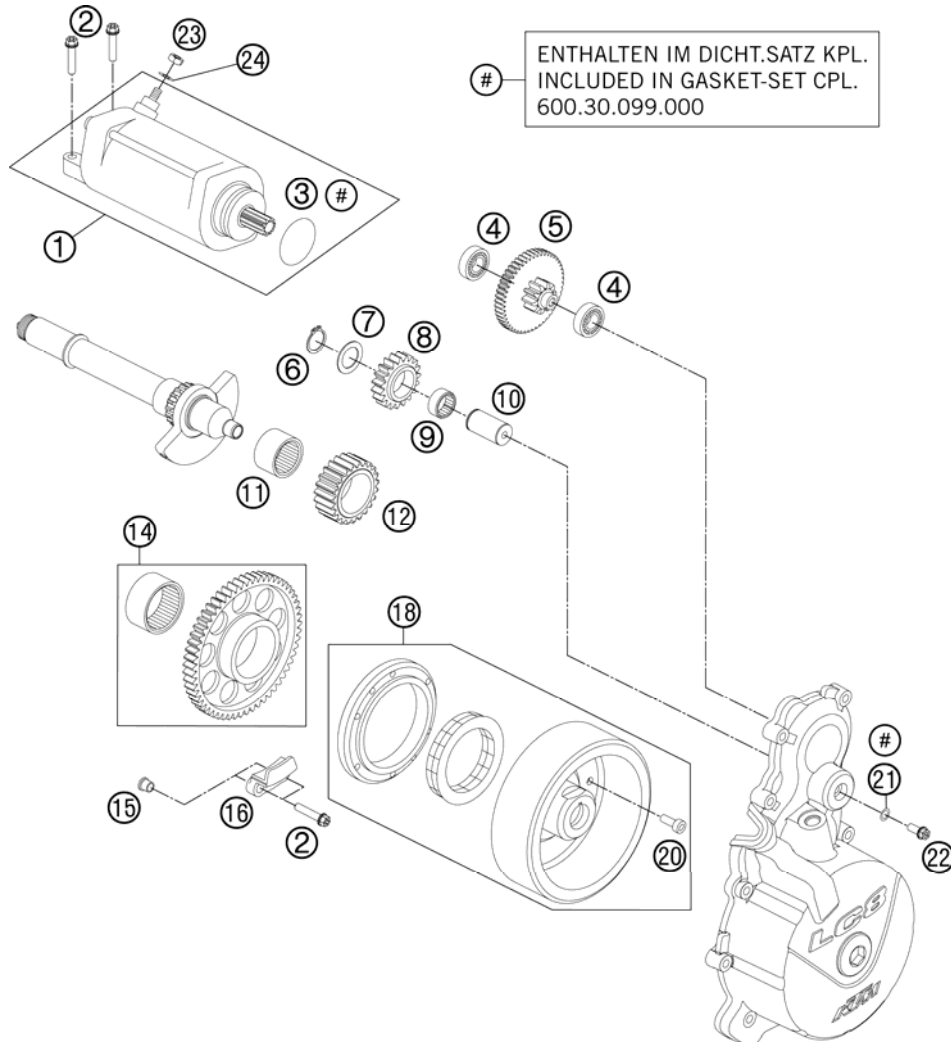
990 ADVENTURE USA 2011 2011



| FIG | PART NUMBER | DESCRIPTION | QTY |
|-----|---------------|-----------------------------------|-----|
| 1 | 60039034100 | PULSE GENERATOR LC8 04 | 1 |
| 2 | 0025060166 | HH COLLAR SCREW M6X16 TX30 | 2 |
| 3 | 61039020000 | COIL SPROKET 22Z O. CYL. PIN | 1 |
| 10 | 60039006000 | STICK COIL 03 | 2 |
| 11 | 60139093000 | SPARK PLUG M12X1,25 "8" | 2 |
| 20 | 60039005100 | IGNITION ROTOR 04 | 1 |
| | | INCL. FREEWHEEL | |
| 21 | 60039040010 | WASHER 17X32X4 03 | 1 |
| 22 | 60039003100 | AH EXPAND. SCREW M16X1,5 05 | 1 |
| 23 | 0025060356 | HH COLLAR SCREW M6X35 TX30 | 6 |
| 24 | 60039004000 | STATOR 03 | 1 |
| 25 | 49030090000 | DOWEL 9,8 X 7 X 10 | 2 |
| 26 | 60030040100 | IGNIT. COVER GASK. MATRI. CS0,5MM | 1 |
| 27 | 6003000214423 | IGNITION COVER CPL. 06 | 1 |
| 28 | 07700240251 | O-RING 24X2,5 VITON | 1 |
| 29 | 6003009400023 | SCREW PLUG M24X1,5 PA 6.6 | 1 |
| 30 | 0603061001 | CU-SEAL RING DIN7603-6X10X1 | 2 |
| 31 | 60030022000 | VENTILATION CONNECTOR M16X1,5 | 1 |
| 32 | 0025060306 | HH COLLAR SCREW M6X30 TX30 | 8 |
| 34 | 00049220121 | CLAMP STD DN22 | 1 |
| 35 | 00050226706 | VARIABLE ONE-EAR CLAMP 22,6MM | 3 |
| 36 | 60011094000 | CABLE SUPPORT 03 | 1 |
| 37 | 0125060003 | WASHER DIN0125-A 6,4 | 1 |
| 38 | 60039040020 | CABLE SUPPORT GENERATOR 03 | 1 |
| 40 | 60030090344 | BACK-PRESSURE VALVE CPL. | 1 |
| 43 | 60030087101 | ENGINE BREATHER HOSE BOTTOM | 1 |
| 44 | 60030087102 | ENGINE BREATHER HOSE TOP | 1 |

ELECTRO STARTER

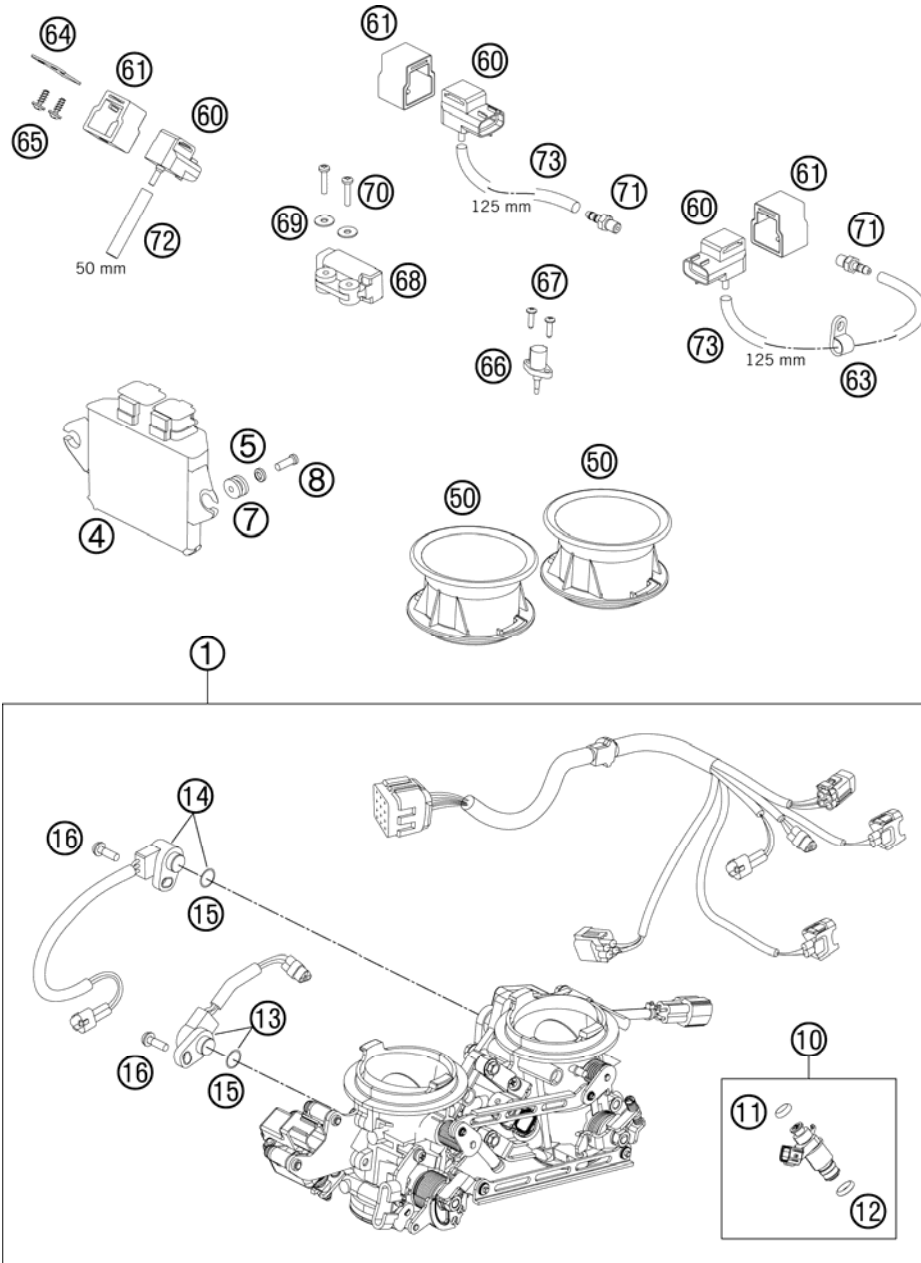
990 ADVENTURE USA 2011 2011



| FIG | PART NUMBER | DESCRIPTION | QTY |
|-----|-------------|--------------------------------|-----|
| 1 | 60040001000 | E-STARTER ENGINE CPL. LC8-E 03 | 1 |
| 2 | 0025060256 | HH COLLAR SCREW M6X25 TX30 | 4 |
| 3 | 0770335030 | O-RING 33,5X3 VITON | 1 |
| 4 | 0625160011 | GROOV.BALL BEAR. 16001 JRX C3 | 2 |
| 5 | 60040017000 | TORQUE LIMITER | 1 |
| 6 | 0471170010 | CIRCLIP DIN0471-17X1 | 1 |
| 7 | 50333041000 | STOP DISC 17,2X26X1 B | 1 |
| 8 | 60040022219 | IDLER GEAR 1 19Z | 1 |
| 9 | 0405172110 | NEEDLE BEARING K 17X21X10 | 1 |
| 10 | 60040023100 | BEARING BOLT | 1 |
| 11 | 0618253220 | NEEDLE BUSH HK2520 25/32/20 02 | 1 |
| 12 | 60040022023 | IDLER GEAR 2 23-T 03 | 1 |
| 14 | 60040020000 | FREEWHEEL GEAR WH. 57-T CPL.03 | 1 |
| 15 | 60040027050 | SUPPORTING SLEEVE 03 | 2 |
| 16 | 60040027000 | FREEWHEEL HOLDER 03 | 1 |
| 18 | 60039005100 | IGNITION ROTOR 04 | 1 |
| | | INCL. FREEWHEEL | |
| 20 | 0984060166 | AH SCREW DIN6912 M6X16 10.9 | 6 |
| 21 | 0603061001 | CU-SEAL RING DIN7603-6X10X1 | 1 |
| 22 | 0025060166 | HH COLLAR SCREW M6X16 TX30 | 1 |
| 23 | 0985060003 | SELF LOCK. NUT DIN0985-M 6 | 1 |
| 24 | 0125060003 | WASHER DIN0125-A 6,4 | 1 |

THROTTLE BODY

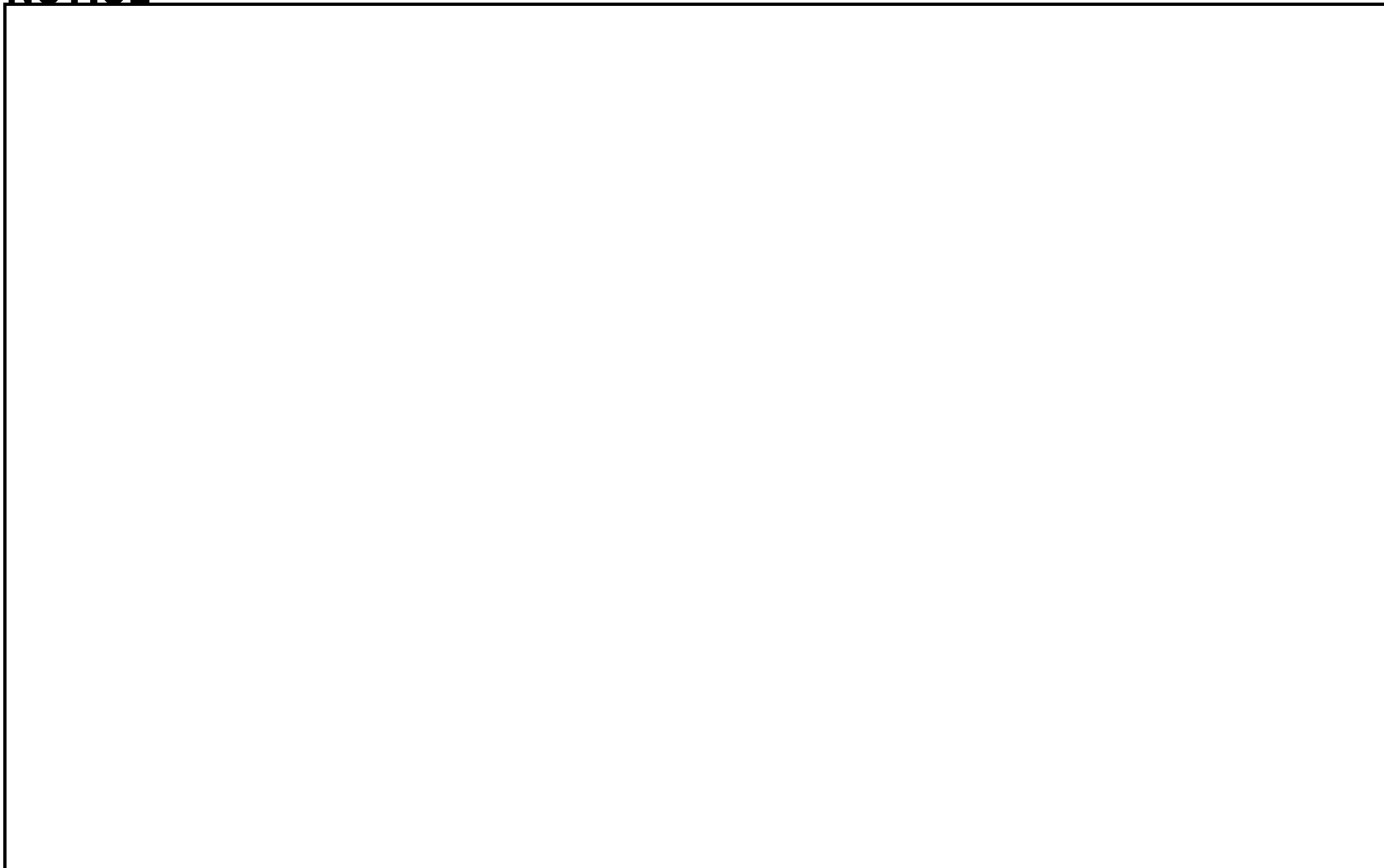
990 ADVENTURE USA 2011 2011



| FIG | PART NUMBER | DESCRIPTION | QTY |
|-----|-------------|--------------------------------|-----|
| 1 | 61041001000 | THROTTLE BODY CPL. 05 | 1 |
| 4 | 61041031200 | TIMING CHARGER EFI 08 | 1 |
| 5 | 60008045000 | SPECIAL WASHER D=16,5MM 03 | 2 |
| 7 | 60039030000 | VIBRATION DAMPER DIGITALBOX 03 | 2 |
| 8 | 0012060123 | AH SCREW DIN6912 M6X12 | 2 |
| 10 | 61041023044 | INJECTOR CPL. | 2 |
| 11 | 61041023010 | O-RING INJECTOR | 2 |
| 12 | 61041023020 | O-RING INJECTOR | 2 |
| 13 | 61041077000 | THROTTLE POS. SENSOR CPL. | 1 |
| 14 | 61041177000 | THROTTLE POS. SENSOR CPL. | 1 |
| 15 | 61041077010 | O-RING THROTTLE POS. SENSOR | 2 |
| 16 | 61041077020 | SCREW THROTTLE POS. SENSOR | 2 |
| 50 | 61041040000 | INTAKE TRUMPET 05 | 2 |
| 60 | 61041085100 | PRESSURE SENSOR 06 | 3 |
| 61 | 61041085150 | RUBBER SUPP. PRESSURE SENS. 06 | 3 |
| 63 | 57013070100 | PVC-CLAMP 7,9 MM HEYCO 3355 | 1 |
| 64 | 61041085060 | SUPPORT PRESSURE SENSOR 05 | 1 |
| 65 | 0081050121 | SCREW FOR PLASTIC K50X12 T20 | 2 |
| 66 | 61041080000 | AMBIENT-AIR TEMPERATURE SENSOR | 1 |
| 67 | 0081050181 | SCREW FOR PLASTIC K50X18 T20 | 2 |
| 68 | 61041088000 | ROLLOVER SENSOR 05 | 1 |
| 69 | 61041088050 | SHIM 4,3X15X1,25MM GALVANIZED | 2 |
| 70 | 0985040203 | FLAT HEAD SCREW DIN7985-M 4X20 | 2 |
| 71 | 61036023100 | VACUUM CONECTION 2006 | 2 |
| 72 | 61041095050 | HOSE 3,2X8,5 L=50 MM 05 | 1 |
| 73 | 60141095125 | HOSE 3,2x8,5 L=125 MM 06 | 2 |

NOTICE

990 ADVENTURE USA 2011 2011





KTM-Sportmotorcycle AG
A-5230 Mattighofen
www.ktm.at



3CM089826KEN